

PARTS LIST

CAUTION

- The parts identified by the \triangle symbol are important for the safety . Whenever replacing these parts, be sure to use specified ones to secure the safety .
- The parts not indicated in this Parts List and those which are filled with lines --- in the Parts No. columns will not be supplied .
- P. W. Board Ass'y will not be supplied, but those which are filled with the Parts No. in the Parts No. columns will be supplied .

ABBREVIATIONS OF RESISTORS, CAPACITORS AND TOLERANCES

RESISTORS		CAPACITORS	
C R	Carbon Resistor	C CAP.	Ceramic Capacitor
F R	Fusible Resistor	E CAP.	Electrolytic Capacitor
P R	Plate Resistor	M CAP.	Mylar Capacitor
V R	Variable Resistor	HV CAP.	High Voltage Capacitor
HV R	High Voltage Resistor	MF CAP.	Metalized Film Capacitor
MF R	Metal Film Resistor	MM CAP.	Metalized Mylar Capacitor
MG R	Metal Glazed Resistor	MP CAP.	Metalized Polystyrol Capacitor
MP R	Metal Plate Resistor	PP CAP.	Polypropylene Capacitor
OM R	Metal Oxide Film Resistor	PS CAP.	Polystyrol Capacitor
CMF R	Coating Metal Film Resistor	TF CAP.	Thin Film Capacitor
UNF R	Non-Flammable Resistor	MPP CAP.	Metalized Polypropylene Capacitor
CH V R	Chip Variable Resistor	TAN. CAP.	Tantalum Capacitor
CH MG R	Chip Metal Glazed Resistor	CH C CAP.	Chip Ceramic Capacitor
COMP. R	Composition Resistor	BP E CAP.	Bi-Polar Electrolytic Capacitor
LPTC R	Linear Positive Temperature Coefficient Resistor	CH AL E CAP.	Chip Aluminum Electrolytic Capacitor
		CH AL BP CAP.	Chip Aluminum Bi-Polar Capacitor
		CH TAN. E CAP.	Chip Tantalum Electrolytic Capacitor
		CH AL BP E CAP.	Chip Tantalum Bi-Polar Electrolytic Capacitor

RESISTORS									
F	G	J	K	M	N	R	H	Z	P
±1%	±2%	±5%	±10%	±20%	±30%	+30% -10%	+50% -10%	+80% -20%	+100% 0%

CONTENTS

USING P.W. BOARD & REMOTE CONTROL UNIT	39
EXPLODED VIEW PARTS LIST	40
EXPLODED VIEW	41

PRINTED WIRING BOARD PARTS LIST (AV-36D202/R)

MAIN PW BOARD ASS'Y	42
CRT SOCKET PW BOARD ASS'Y	45
FRONT CONTROL PW BOARD ASS'Y	45
FRONT AV INPUT PW BOARD ASS'Y	45
LF PW BOARD ASS'Y	46
AV SELECTOR PW BOARD ASS'Y	46
REMOTE CONTROL UNIT PARTS LIST (RM-C303G-1A)	47
DIFFERENCE PARTS LIST BETWEEN AV-36D202/R, AV-36D202/H AND AV-36D202/Y	48

PRINTED WIRING BOARD PARTS LIST (AV-36D302/R)

MAIN PW BOARD ASS'Y	50
CRT SOCKET PW BOARD ASS'Y	53
FRONT CONTROL PW BOARD ASS'Y	53
FRONT AV INPUT PW BOARD ASS'Y	53
LF PW BOARD ASS'Y	54
AV SELECTOR PW BOARD ASS'Y	54
REMOTE CONTROL UNIT PARTS LIST (RM-C303G-1A)	55
DIFFERENCE PARTS LIST BETWEEN AV-36D302/R, AV-36D302/H AND AV-36D302/Y	56

PRINTED WIRING BOARD PARTS LIST (AV-36D502/Y)

MAIN PW BOARD ASS'Y	58
CRT SOCKET PW BOARD ASS'Y	61
FRONT CONTROL PW BOARD ASS'Y	61
FRONT AV INPUT PW BOARD ASS'Y	61
LF PW BOARD ASS'Y	62
PIP PW BOARD ASS'Y	62
AV SELECTOR PW BOARD ASS'Y	62
REMOTE CONTROL UNIT PARTS LIST (RM-C301G-2A)	64
DIFFERENCE PARTS LIST BETWEEN AV-36D502/Y, AV-36D502/H AND AV-36D502/R	65

PACKING / PACKING PARTS LIST	67
---	----

USING P.W. BOARD & REMOTE CONTROL UNIT

[AV-36D202]

P.W.B ASS'Y	Model	AV-36D202_H	AV-36D202_R	AV-36D202_Y
MAIN PW BOARD		SAC-1525A-M2	SAC-1524A-M2	SAC-1523A-M2
CRT SOCKET PW BOARD		SAC-3505A-M2	SAC-3504A-M2	SAC-3503A-M2
FRONT CONTROL PW BOARD		SAC-8502A-M2	←	←
FRONT AV INPUT PW BOARD		SAC-8602A-M2	←	←
LF PW BOARD		SAC-9502A-M2	←	←
AV SELECTOR PW BOARD		SAC0S508A-M2	←	←
REMOTE CONTROL UNIT		RM-C303G-1A	←	←

[AV-36D302]

P.W.B ASS'Y	Model	AV-36D302_H	AV-36D302_R	AV-36D302_Y
MAIN PW BOARD		SAC-1519A-M2	SAC-1518A-M2	SAC-1517A-M2
CRT SOCKET PW BOARD		SAC-3505A-M2	SAC-3504A-M2	SAC-3503A-M2
FRONT CONTROL PW BOARD		SAC-8502A-M2	←	←
FRONT AV INPUT PW BOARD		SAC-8602A-M2	←	←
LF PW BOARD		SAC-9502A-M2	←	←
AV SELECTOR PW BOARD		SAC0S507A-M2	←	←
REMOTE CONTROL UNIT		RM-C303G-1A	←	←

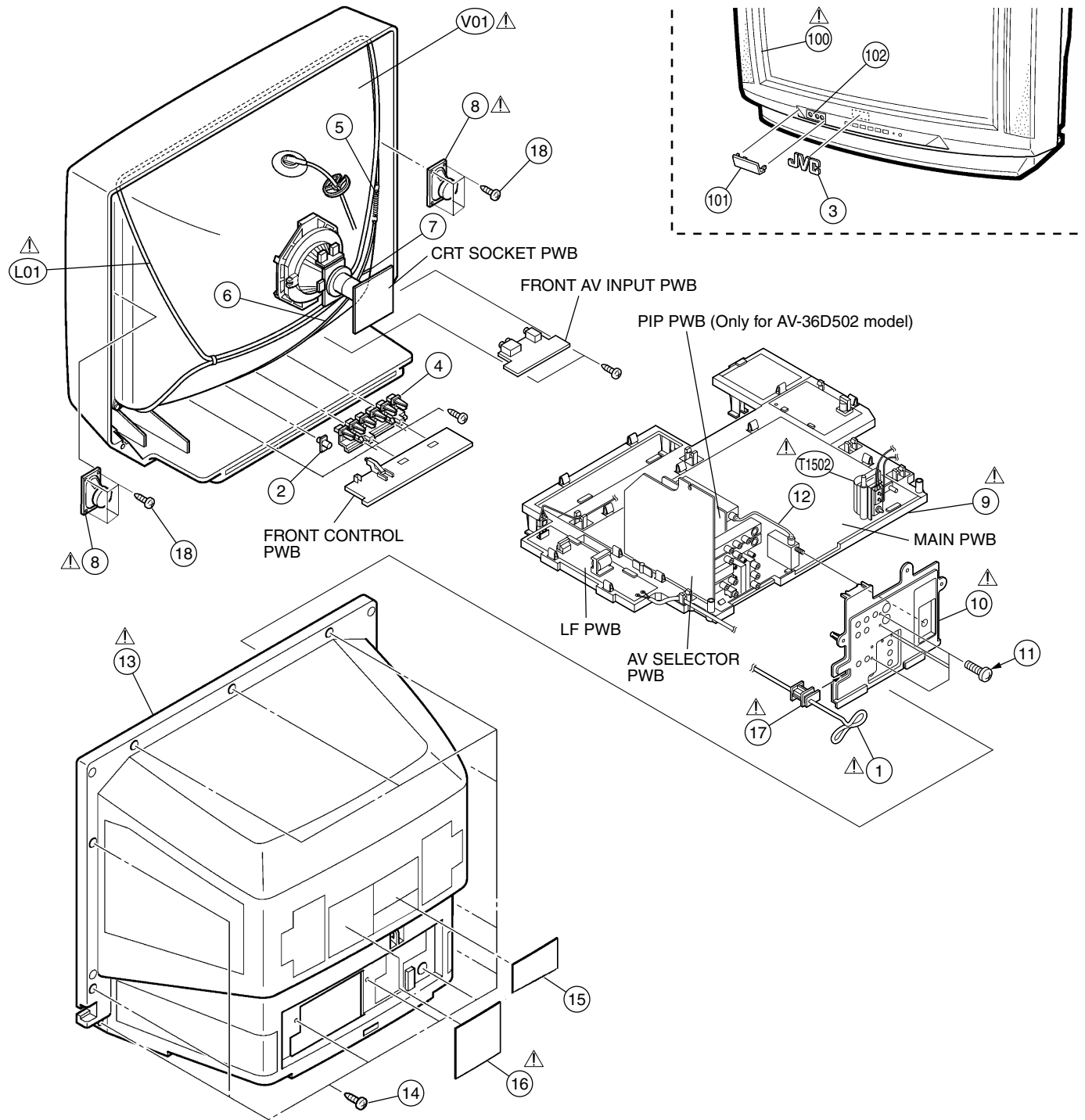
[AV-36D502]

P.W.B ASS'Y	Model	AV-36D502_H	AV-36D502_R	AV-36D502_Y
MAIN PW BOARD		SAC-1505A-M2	SAC-1504A-M2	SAC-1503A-M2
CRT SOCKET PW BOARD		SAC-3505A-M2	SAC-3504A-M2	SAC-3503A-M2
FRONT CONTROL PW BOARD		SAC-8502A-M2	←	←
FRONT AV INPUT PW BOARD		SAC-8602A-M2	←	←
LF PW BOARD		SAC-9502A-M2	←	←
PIP PW BOARD		SAC0P502A-M2	←	←
AV SELECTOR PW BOARD		SAC0S504A-M2	←	←
REMOTE CONTROL UNIT		RM-C301G-2A	←	←

EXPLODED VIEW PARTS LIST (AV-36D202 & AV-36D302 & AV-36D502)

△ Ref.No.	Part No.	Part Name	Description	Local
△ L01	CELD067-001JA	DEG COIL		
△ T1502	QQH0092-001	FBT	Within MAIN PWB	
△ V01	A90LPY30X04	CRT	Inc.DY(AV-36D202 ^H , AV-36D302 ^H ,AV-36D502 ^H)	
△ V01	A90AEJ15X01	CRT	Inc.DY(AV-36D202 ^R , AV-36D302 ^R ,AV-36D502 ^R)	
△ V01	A90AHH50X10/V/	CRT	Inc.DY(AV-36D202 ^V , AV-36D302 ^V ,AV-36D502 ^V)	
△ 1	QMPD200-200-JC	POWER CORD	CN90PW Within LF PWB	
2	LC30191-002A-A	REMOCON WINDOW		
3	CM46084-002	JVC MARK		
4	LC20217-005A-A	CONTROL KNOB		
5	A48457-4-S	SPRING		
6	WJY0016-003A	BRAIDED WIRE		
7	WJY0013-005A	BRAIDED WIRE		
△ 8	CEBSS12D-04KJ2	SPEAKER	(x2) SP01, SP02	
△ 9	LC10883-001C-A	CHASSIS BASE		
△ 10	LC20626-003D-A	TERMINAL BOARD		
11	QYSBSB3010Z	TAPPING SCREW	(x4)	
12	CHGY0031-0C	ANT CABLE ASSY	(Only for AV-36D502)	
△ 13	LC10644-002A-A	REAR COVER		
14	QYSBSFG4016Z	TAPPING SCREW	(x12)	
15	LC30684-005A-A	BBE LABEL		
△ 16	LC31139-001A-A	RATING LABEL		
△ 17	LC20106-001D-A	CORD CLAMP		
18	QYSBSB4012Z	TAPPING SCREW	(x8)	
△ 100	LC10642-001E-A	FRONT CABI ASSY	Inc.No.101-102(AV-36D202)	
△ 100	LC10642-004B-A	FRONT CABI ASSY	Inc.No.101-102(AV-36D302, AV-36D502)	
101	LC20409-001C-A	DOOR	(AV-36D202)	
101	LC20409-005A-A	DOOR	(AV-36D302, AV-36D502)	
102	CM48229-00A-C	DOOR LATCH		

EXPLODED VIEW



PRINTED WIRING BOARD PARTS LIST (AV-36D202/R)**MAIN PW BOARD ASS'Y (SAC-1524A-M2)**

△	Symbol No.	Part No.	Part Name	Description	Local	△	Symbol No.	Part No.	Part Name	Description	Local
RESISTOR						RESISTOR					
	R1001	NRSA63J-473X	MG R	47kΩ 1/16W	J		R1522	NRSA63J-561X	MG R	560Ω 1/16W	J
	R1002	NRSA63J-102X	MG R	1kΩ 1/16W	J		R1523	QRJ146J-333X	C R	33kΩ 1/4W	J
	R1003-04	NRSA63J-0R0X	MG R	0.0Ω 1/16W	J	△	R1525	QRZ9011-470	F R	47Ω 1/2W	J
	R1011	NRSA63J-820X	MG R	82Ω 1/16W	J		R1526	QRE121J-272Y	C R	2.7kΩ 1/2W	J
	R1012	NRSA63J-182X	MG R	1.8kΩ 1/16W	J		R1527-28	QRE121J-154Y	C R	150kΩ 1/2W	J
	R1013	NRSA63J-562X	MG R	5.6kΩ 1/16W	J		R1529	NRSA63J-331X	MG R	330Ω 1/16W	J
	R1014	QRE121J-101Y	C R	100Ω 1/2W	J	△	R1531	QRJ146J-391X	C R	390Ω 1/4W	J
	R1015	NRSA63J-180X	MG R	18Ω 1/16W	J		R1532	NRSA63J-273X	MG R	27kΩ 1/16W	J
	R1016	NRSA63J-270X	MG R	27Ω 1/16W	J		R1533-34	NRSA63J-123X	MG R	12kΩ 1/16W	J
	R1018	NRSA63J-104X	MG R	100kΩ 1/16W	J	△	R1535	NRVA02D-242X	MF R	2.4kΩ 1/10W ±0.5%	
	R1020	NRSA63J-332X	MG R	3.3kΩ 1/16W	J	△	R1537	NRZ0032-7151X	MF R	7.15kΩ	
	R1021	NRSA63J-123X	MG R	12kΩ 1/16W	J		R1538	NRSA63J-333X	MG R	33kΩ 1/16W	J
	R1022	NRSA63J-151X	MG R	150Ω 1/16W	J		R1543	QRE121J-122Y	C R	1.2kΩ 1/2W	J
	R1023	NRSA63J-101X	MG R	100Ω 1/16W	J		R1544	QRE121J-392Y	C R	3.9kΩ 1/2W	J
	R1024	NRSA63J-102X	MG R	1kΩ 1/16W	J		R1545	QRE121J-822Y	C R	8.2kΩ 1/2W	J
	R1025	NRSA63J-561X	MG R	560Ω 1/16W	J		R1546	NRSA63J-331X	MG R	330Ω 1/16W	J
	R1026	NRSA63J-331X	MG R	330Ω 1/16W	J		R1547	NRSA63J-104X	MG R	100kΩ 1/16W	J
	R1028	NRSA63J-821X	MG R	820Ω 1/16W	J		R1548	QRE121J-152Y	C R	1.5kΩ 1/2W	J
	R1038	NRSA63J-272X	MG R	2.7kΩ 1/16W	J		R1553	QRL039J-180	OM R	18Ω 3W	J
	R1039-40	NRSA63J-0R0X	MG R	0.0Ω 1/16W	J		R1601-03	NRSA63J-750X	MG R	75Ω 1/16W	J
	R1041	NRSA63J-272X	MG R	2.7kΩ 1/16W	J		R1610-12	NRSA63J-221X	MG R	220Ω 1/16W	J
	R1042-43	NRSA63J-102X	MG R	1kΩ 1/16W	J		R1700-02	NRSA63J-102X	MG R	1kΩ 1/16W	J
	R1045-46	NRSA63J-0R0X	MG R	0.0Ω 1/16W	J		R1704-05	NRSA63J-472X	MG R	4.7kΩ 1/16W	J
	R1047	NRSA63J-153X	MG R	15kΩ 1/16W	J		R1706-07	NRSA63J-103X	MG R	10kΩ 1/16W	J
	R1048	NRSA63J-154X	MG R	150kΩ 1/16W	J		R1708-09	NRSA63J-101X	MG R	100Ω 1/16W	J
	R1101-02	NRSA63J-101X	MG R	100Ω 1/16W	J		R1715	NRSA63J-103X	MG R	10kΩ 1/16W	J
	R1111	NRSA63J-105X	MG R	1MΩ 1/16W	J		R1721-22	NRSA63J-102X	MG R	1kΩ 1/16W	J
	R1131	NRSA63J-272X	MG R	2.7kΩ 1/16W	J		R1724	NRSA63J-102X	MG R	1kΩ 1/16W	J
	R1134	NRSA63J-562X	MG R	5.6kΩ 1/16W	J		R1726-28	NRSA63J-102X	MG R	1kΩ 1/16W	J
	R1135	NRSA63J-102X	MG R	1kΩ 1/16W	J		R1729	NRSA63J-223X	MG R	22kΩ 1/16W	J
	R1140	NRSA63J-562X	MG R	5.6kΩ 1/16W	J		R1731-32	NRSA63J-101X	MG R	100Ω 1/16W	J
	R1141	NRSA63J-0R0X	MG R	0.0Ω 1/16W	J		R1733-34	NRSA63J-272X	MG R	2.7kΩ 1/16W	J
	R1201	NRSA63J-333X	MG R	33kΩ 1/16W	J		R1737	NRSA63J-222X	MG R	2.2kΩ 1/16W	J
	R1231	NRSA63J-182X	MG R	1.8kΩ 1/16W	J		R1738	NRSA63J-102X	MG R	1kΩ 1/16W	J
	R1237	NRSA63J-392X	MG R	3.9kΩ 1/16W	J		R1739	NRSA63J-272X	MG R	2.7kΩ 1/16W	J
	R1238	NRSA63J-473X	MG R	47kΩ 1/16W	J		R1740	NRSA63J-103X	MG R	10kΩ 1/16W	J
	R1241	NRSA63J-332X	MG R	3.3kΩ 1/16W	J		R1741	NRSA63J-0R0X	MG R	0.0Ω 1/16W	J
	R1243	NRSA63J-152X	MG R	1.5kΩ 1/16W	J		R1742-43	NRSA63J-103X	MG R	10kΩ 1/16W	J
	R1281	NRSA63J-182X	MG R	1.8kΩ 1/16W	J		R1748	NRSA63J-103X	MG R	10kΩ 1/16W	J
	R1282	NRSA63J-392X	MG R	3.9kΩ 1/16W	J		R1749-51	NRSA63J-222X	MG R	2.2kΩ 1/16W	J
	R1283	NRSA63J-681X	MG R	680Ω 1/16W	J		R1752	NRSA63J-102X	MG R	1kΩ 1/16W	J
	R1286	NRSA63J-472X	MG R	4.7kΩ 1/16W	J		R1753	NRSA63J-0R0X	MG R	0.0Ω 1/16W	J
	R1287	NRSA63J-101X	MG R	100Ω 1/16W	J		R1754	NRSA63J-102X	MG R	1kΩ 1/16W	J
	R1288	NRSA02J-471X	MG R	470Ω 1/10W	J		R1755	NRSA63J-153X	MG R	15kΩ 1/16W	J
	R1289	NRSA63J-154X	MG R	150kΩ 1/16W	J		R1756	NRSA63J-103X	MG R	10kΩ 1/16W	J
	R1290	NRSA02J-561X	MG R	560Ω 1/10W	J		R1763	NRSA63J-103X	MG R	10kΩ 1/16W	J
	R1291	NRSA63J-103X	MG R	10kΩ 1/16W	J		R1764-68	NRSA63J-221X	MG R	220Ω 1/16W	J
	R1292	NRSA63J-123X	MG R	12kΩ 1/16W	J		R1769-70	NRSA63J-682X	MG R	6.8kΩ 1/16W	J
	R1301-03	NRSA63J-222X	MG R	2.2kΩ 1/16W	J		R1772	NRSA63J-103X	MG R	10kΩ 1/16W	J
	R1304-06	NRSA63J-101X	MG R	100Ω 1/16W	J		R1774	NRSA63J-682X	MG R	6.8kΩ 1/16W	J
	R1354-55	NRSA63J-0R0X	MG R	0.0Ω 1/16W	J		R1775	NRSA63J-473X	MG R	47kΩ 1/16W	J
	R1356	NRSA63J-123X	MG R	12kΩ 1/16W	J		R1776	NRSA63J-123X	MG R	12kΩ 1/16W	J
	R1359	NRSA63J-103X	MG R	10kΩ 1/16W	J		R1777	NRSA63J-103X	MG R	10kΩ 1/16W	J
	R1360	NRSA63J-0R0X	MG R	0.0Ω 1/16W	J		R1793-95	NRSA63J-331X	MG R	330Ω 1/16W	J
	R1401	NRSA63J-822X	MG R	8.2kΩ 1/16W	J		R1798-99	NRSA63J-103X	MG R	10kΩ 1/16W	J
	R1403	QRX01GJ-1R0	MF R	1.0Ω 1W	J		R1800	NRSA63J-103X	MG R	10kΩ 1/16W	J
	R1404	QRE121J-100Y	C R	10Ω 1/2W	J		R1801-04	NRSA63J-0R0X	MG R	0.0Ω 1/16W	J
	R1405	NRSA63J-103X	MG R	10kΩ 1/16W	J		R1806	NRSA63J-102X	MG R	1kΩ 1/16W	J
	R1407	NRSA02J-0R0X	MG R	0.0Ω 1/10W	J		R1807	NRSA63J-222X	MG R	2.2kΩ 1/16W	J
	R1411-12	NRSA63J-103X	MG R	10kΩ 1/16W	J		R1810	NRSA63J-0R0X	MG R	0.0Ω 1/16W	J
	R1414	QRL029J-221	OM R	220Ω 2W	J		R1811	NRSA63J-473X	MG R	47kΩ 1/16W	J
	R1431	QRE121J-272Y	C R	2.7kΩ 1/2W	J		R1812	NRSA63J-102X	MG R	1kΩ 1/16W	J
	R1432	NRSA63J-104X	MG R	100kΩ 1/16W	J		R1814	NRSA63J-104X	MG R	100kΩ 1/16W	J
	R1433	NRSA63J-473X	MG R	47kΩ 1/16W	J		R1815	NRSA63J-154X	MG R	150kΩ 1/16W	J
	R1434	NRSA63J-822X	MG R	8.2kΩ 1/16W	J		R1816	NRSA63J-0R0X	MG R	0.0Ω 1/16W	J
	R1435	NRSA63J-103X	MG R	10kΩ 1/16W	J		R1817	NRSA63J-104X	MG R	100kΩ 1/16W	J
	R1501	NRSA63J-0R0X	MG R	0.0Ω 1/16W	J		R1818	NRSA63J-0R0X	MG R	0.0Ω 1/16W	J
	R1502	NRSA63J-271X	MG R	270Ω 1/16W	J		R1821	NRSA63J-104X	MG R	100kΩ 1/16W	J
	R1503	QRE121J-103Y	C R	10kΩ 1/2W	J		R1824	NRSA63J-103X	MG R	10kΩ 1/16W	J
	R1504-05	QRL039J-152	OM R	1.5kΩ 3W	J		R1827	NRSA63J-102X	MG R	1kΩ 1/16W	J
	R1511	QRE121J-220Y	C R	22Ω 1/2W	J	△	R1857	QRG029J-330	OM R	33Ω 2W	J
	R1512	QRE121J-681Y	C R	680Ω 1/2W	J	△	R1858	QRG029J-180	OM R	18Ω 2W	J

△	Symbol No.	Part No.	Part Name	Description	Local	△	Symbol No.	Part No.	Part Name	Description	Local
RESISTOR						CAPACITOR					
	R1860	NRSA63J-562X	MG R	5.6kΩ 1/16W J			C1286	QETN1HM-106Z	E CAP.	10μF 50V M	
△	R1901	QRF074K-R47	UNF R	0.47Ω 7W K			C1287	QETN1CM-107Z	E CAP.	100μF 16V M	
△	R1909	QRG01GJ-470	OM R	47Ω 1W J			C1288	NCB31HK-103X	C CAP.	0.01μF 50V K	
	R1911	QRE121J-223Y	C R	22kΩ 1/2W J			C1352	QETN1CM-336Z	E CAP.	33μF 16V M	
	R1912-13	QRT029J-R22	MF R	0.22Ω 2W J			C1354	QFV71HJ-154Z	MF CAP.	0.15μF 50V J	
	R1914	QRK126J-681X	C R	680Ω 1/2W J			C1391	QETN1CM-107Z	E CAP.	100μF 16V M	
	R1915	QRE121J-270Y	C R	27Ω 1/2W J			C1392	NCB31HK-103X	C CAP.	0.01μF 50V K	
	R1917	QRK126J-332X	C R	3.3kΩ 1/2W J			C1393-95	NCB21HK-104X	C CAP.	0.1μF 50V K	
	R1918	QRE121J-222Y	C R	2.2kΩ 1/2W J			C1401	NDC21HJ-152X	C CAP.	1500pF 50V J	
	R1919	QRE121J-684Y	C R	680kΩ 1/2W J			C1403	NCB21HK-273X	C CAP.	0.027μF 50V K	
	R1924	QRE121J-222Y	C R	2.2kΩ 1/2W J			C1404	QETN1VM-107Z	E CAP.	100μF 35V M	
	R1930	QRE121J-223Y	C R	22kΩ 1/2W J			C1405	QCS32HJ-100Z	C CAP.	10pF 500V J	
	R1939	QRT039J-2R2	MF R	2.2Ω 3W J			C1407	QFLC2AK-563Z	M CAP.	0.056μF 100V K	
	R1940	QRE121J-181Y	C R	180Ω 1/2W J			C1410	QFLC2AJ-104Z	M CAP.	0.1μF 100V J	
	R1941	QRL029J-183	OM R	18kΩ 2W J			C1411	QETN1HM-105Z	E CAP.	1μF 50V M	
	R1943	NRSA63J-104X	MG R	100kΩ 1/16W J			C1415	NCB21HK-104X	C CAP.	0.1μF 50V K	
	R1944	NRSA63J-122X	MG R	1.2kΩ 1/16W J			C1421	QEHQ1VM-108	E CAP.	1000μF 35V M	
	R1951	NRSA63J-473X	MG R	47kΩ 1/16W J			C1431	QETN1HM-105Z	E CAP.	1μF 50V M	
	R1952	NRSA63J-102X	MG R	1kΩ 1/16W J			C1432	QETN1EM-476Z	E CAP.	47μF 25V M	
	R1953	QRE121J-151Y	C R	150Ω 1/2W J			C1501	QCB32HK-151Z	C CAP.	150pF 500V K	
	R1973	QRE121J-272Y	C R	2.7kΩ 1/2W J			C1502	QCB32HK-331Z	C CAP.	330pF 500V K	
	R1975	QRE121J-223Y	C R	22kΩ 1/2W J			C1503	QEHR2CM-105Z	E CAP.	1μF 160V M	
	R1977	QRE121J-473Y	C R	47kΩ 1/2W J			C1504	QEZ0203-107	E CAP.	100μF 160V M	
	R1978	NRSA63J-333X	MG R	33kΩ 1/16W J			C1507-08	QEM61HK-475Z	E CAP.	4.7μF 50V K	
	R1979-80	QRT029J-1R2	MF R	1.2Ω 2W J		△	C1510	QFZ0196-502	MPP CAP.	5000pF 1.5KVH±3%	
CAPACITOR						△	C1513	QFZ0198-133	MPP CAP.	0.013μF 1.5KVH±3%	
	C1001	QETN1HM-475Z	E CAP.	4.7μF 50V M		△	C1514	QFP32GJ-183	PP CAP.	0.018μF 400V J	
	C1002	QETN1HM-106Z	E CAP.	10μF 50V M		△	C1515	QFZ0197-624	MPP CAP.	0.62μF 250V J	
	C1003	QETN1CM-108Z	E CAP.	1000μF 16V M			C1516	QCB32HK-561Z	C CAP.	560pF 500V K	
	C1011-12	NCB31HK-103X	C CAP.	0.01μF 50V K			C1521	QETN2EM-106Z	E CAP.	10μF 250V M	
	C1014	QETN1CM-107Z	E CAP.	100μF 16V M			C1523	QEHR1EM-108Z	E CAP.	1000μF 25V M	
	C1015-16	NCB31HK-103X	C CAP.	0.01μF 50V K			C1524	QETN1EM-108Z	E CAP.	1000μF 25V M	
	C1021	QFV71HJ-824Z	MF CAP.	0.82μF 50V J			C1525	QETN1VM-107Z	E CAP.	100μF 35V M	
	C1023	QETN1CM-107Z	E CAP.	100μF 16V M			C1526	QFV21HJ-824Z	MF CAP.	0.82μF 50V J	
	C1024	NCB31HK-103X	C CAP.	0.01μF 50V K			C1527	QFLC2AJ-103Z	M CAP.	0.01μF 100V J	
	C1025	NCB31HK-102X	C CAP.	1000pF 50V K			C1531	QCB32HK-102Z	C CAP.	1000pF 500V K	
	C1026	QETN1HM-474Z	E CAP.	0.47μF 50V M			C1533	QETN1HM-106Z	E CAP.	10μF 50V M	
	C1027	NCB21HK-104X	C CAP.	0.1μF 50V K			C1601-03	QETN1EM-476Z	E CAP.	47μF 25V M	
	C1028	QETN1HM-106Z	E CAP.	10μF 50V M			C1609-11	QFV71HJ-104Z	MF CAP.	0.1μF 50V J	
	C1030	NCB31HK-103X	C CAP.	0.01μF 50V K			C1612	QETN1HM-105Z	E CAP.	1μF 50V M	
	C1034	NCB31HK-103X	C CAP.	0.01μF 50V K			C1700	NCB31HK-102X	C CAP.	1000pF 50V K	
	C1036	QETN1AM-477Z	E CAP.	470μF 10V M			C1703	NDC31HJ-181X	C CAP.	180pF 50V J	
	C1037	NCB31HK-103X	C CAP.	0.01μF 50V K			C1706	QETN1HM-105Z	E CAP.	1μF 50V M	
	C1038	QETN1CM-107Z	E CAP.	100μF 16V M			C1707	QETN1CM-107Z	E CAP.	100μF 16V M	
	C1041-42	QETN1HM-106Z	E CAP.	10μF 50V M			C1710	NCB21EK-683X	C CAP.	0.068μF 25V K	
	C1043-44	NDC31HJ-470X	C CAP.	47pF 50V J			C1721	NCB31HK-103X	C CAP.	0.01μF 50V K	
	C1045	QETN1HM-106Z	E CAP.	10μF 50V M			C1722-23	NDC31HJ-390X	C CAP.	39pF 50V J	
	C1046	NCB31HK-103X	C CAP.	0.01μF 50V K			C1724	NDC31HJ-471X	C CAP.	470pF 50V J	
	C1047	NDC21HJ-330X	C CAP.	33pF 50V J			C1726	NDC21HJ-561X	C CAP.	560pF 50V J	
	C1048	NCB31HK-103X	C CAP.	0.01μF 50V K			C1800	QETN1CM-107Z	E CAP.	100μF 16V M	
	C1111	QETN0JM-228Z	E CAP.	2200μF 6.3V M			C1801	NCB21HK-104X	C CAP.	0.1μF 50V K	
	C1112	NCB31HK-103X	C CAP.	0.01μF 50V K			C1802	QETN1CM-107Z	E CAP.	100μF 16V M	
	C1113	QETN1HM-474Z	E CAP.	0.47μF 50V M			C1803	QETN1HM-106Z	E CAP.	10μF 50V M	
	C1114	QETN1HM-105Z	E CAP.	1μF 50V M			C1804	NDC31HJ-102X	C CAP.	1000pF 50V J	
	C1115	QFV71HJ-104Z	MF CAP.	0.1μF 50V J			C1805	NCB31HK-153X	C CAP.	0.015μF 50V K	
	C1116	NCB21HK-104X	C CAP.	0.1μF 50V K			C1806-07	QETN1HM-106Z	E CAP.	10μF 50V M	
	C1131	NDC31HJ-470X	C CAP.	47pF 50V J			C1810	QETN1HM-474Z	E CAP.	0.47μF 50V M	
	C1136	QENC1CM-106Z	BP E CAP.	10μF 16V M			C1811	QETN1HM-105Z	E CAP.	1μF 50V M	
	C1151	NCB31HK-103X	C CAP.	0.01μF 50V K			C1813	NCB31HK-102X	C CAP.	1000pF 50V K	
	C1152	QENC1HM-105Z	BP E CAP.	1μF 50V M			C1816	NCB31HK-153X	C CAP.	0.015μF 50V K	
	C1201	NDC31HJ-100X	C CAP.	10pF 50V J			C1853-54	QETN1CM-227Z	E CAP.	220μF 16V M	
	C1202	QETN1HM-224Z	E CAP.	0.22μF 50V M			C1856	QETN1CM-227Z	E CAP.	220μF 16V M	
	C1203	NCB31HK-222X	C CAP.	2200pF 50V K			C1857	QETN1CM-477Z	E CAP.	470μF 16V M	
	C1233	NDC31HJ-560X	C CAP.	56pF 50V J		△	C1904-06	QCZ9054-102	C CAP.	1000pF 250V Z	
	C1237	NCB31HK-103X	C CAP.	0.01μF 50V K		△	C1907	QEZ0169-477	E CAP.	470μF 200V M	
	C1281	QFV71HJ-474Z	MF CAP.	0.47μF 50V J		△	C1908	QCZ9054-102	C CAP.	1000pF 250V Z	
	C1282	QETN1CM-227Z	E CAP.	220μF 16V M			C1912	QCZ0340-222	C CAP.	2200pF 50V J	
	C1283	NCB31HK-103X	C CAP.	0.01μF 50V K			C1913	QFLC1HJ-471Z	M CAP.	470pF 50V J	
	C1284	QETN1HM-225Z	E CAP.	2.2μF 50V M			C1914	QETN1HM-107Z	E CAP.	100μF 50V M	
	C1285	NCB31HK-103X	C CAP.	0.01μF 50V K			C1916	NDC31HJ-331X	C CAP.	330pF 50V J	
							C1917	NCB21HK-122X	C CAP.	1200pF 50V K	
							C1918	NCB21HK-104X	C CAP.	0.1μF 50V K	

△ Symbol No.	Part No.	Part Name	Description	Local
CAPACITOR				
C1919	QFP32GJ-103	PP CAP.	0.01μF 400V	J
C1925	NRSA63J-0R0X	MG R	0.0Ω 1/16W	J
C1931	QE20203-107	E CAP.	100μF 160V	M
C1932	QETN1CM-108Z	E CAP.	1000μF 16V	M
C1933	QETM1EM-228	E CAP.	2200μF 25V	M
C1935	QETN1EM-108Z	E CAP.	1000μF 25V	M
C1937	QCZ0340-102	C CAP.	1000pF	
C1938	QETM1EM-228	E CAP.	2200μF 25V	M
C1939	QCB32HK-152Z	C CAP.	1500pF 500V	K
C1941	QCB32HK-102Z	C CAP.	1000pF 500V	K
C1942	QEHR1HM-105Z	E CAP.	1μF 50V	M
C1943	QETN1CM-108Z	E CAP.	1000μF 16V	M
C1948	QETN1EM-476Z	E CAP.	47μF 25V	M
C1951	QETN1CM-477Z	E CAP.	470μF 16V	M
C1971	QETN1CM-107Z	E CAP.	100μF 16V	M
C1972	QETN1EM-476Z	E CAP.	47μF 25V	M
C1973	QETN1HM-106Z	E CAP.	10μF 50V	M
△ C1998-99	QCZ9074-103	C CAP.	0.01μF 125V	M

TRANSFORMER				
T1501	CE42034-002	H.DRIVE TRANSF.		
△ T1502	QQH0092-001	H.V.TRANSF.		
△ T1921	QQS0098-001	SWITCH.TRANSF.		
△ T1951	QQT0315-001	POWER TRANSF.		

COIL				
△ L1001	QQL244K-560Z	PEAKING COIL	56μH	K
L1012	QQLZ014-R39	PEAKING COIL	0.39μH	
L1021	QRN143J-0R0X	C R	0.0Ω 1/4W	J
L1022	QQL244K-220Z	PEAKING COIL	22μH	K
L1027	QRN143J-0R0X	C R	0.0Ω 1/4W	J
L1041	QRN143J-0R0X	C R	0.0Ω 1/4W	J
L1042	QQL244K-220Z	PEAKING COIL	22μH	K
L1101	QQL244K-470Z	COIL	47μH	K
L1232	QQL244K-560Z	PEAKING COIL	56μH	K
△ L1511	QQR1027-003	LINE FILTER		
L1512	QQLZ027-821	CHOKE COIL	820μH	
△ L1521	QQLZ026-430	HEATER CHOKE	43μH	
L1700	QQL244K-4R7Z	COIL	4.7μH	K
L1810	QQL244J-100Z	COIL	10μH	J
L1931	QQL26AK-470Z	COIL	47μH	K
L1933	QQL26AK-470Z	COIL	47μH	K
L1937	QQL26AK-470Z	COIL	47μH	K

DIODE				
D1101-02	MTZJ8.2C-T2	ZENER DIODE		
D1305-10	1SS133-T2	SI.DIODE		
D1352	MTZJ9.1C-T2	ZENER DIODE		
D1353	1SS133-T2	SI.DIODE		
D1401	1SR35-400A-T2	SI.DIODE		
D1431	1SR35-400A-T2	SI.DIODE		
D1432	1SS133-T2	SI.DIODE		
D1501	RH3G-F1	SI.DIODE		
D1502	RU3AM-LFC4	SI.DIODE		
D1521	RH1S-T3	SI.DIODE		
D1523	RGP10J-5025-T3	SI.DIODE		
D1524	RGP10J-5025-T3	SI.DIODE		
D1525-26	1SS81-T5	SI.DIODE		
D1527	1SR124-400A-T2	SI.DIODE		
D1529	MTZJ5.1C-T2	ZENER DIODE		
△ D1531	MA4068N/Z1/-T2	ZENER DIODE		
D1535	1SS133-T2	SI.DIODE		
D1537	1SR35-400A-T2	SI.DIODE		
D1601	MTZJ9.1C-T2	ZENER DIODE		
D1603	MTZJ9.1C-T2	ZENER DIODE		
D1606	MTZJ9.1C-T2	ZENER DIODE		
D1701	1SS133-T2	SI.DIODE		
D1706-10	MTZJ8.2C-T2	ZENER DIODE		
D1721-22	1SS133-T2	SI.DIODE		

△ Symbol No.	Part No.	Part Name	Description	Local
DIODE				
D1723-24	MTZJ5.6B-T2	ZENER DIODE		
D1800	1SS81-T2	SI.DIODE		
D1801	1SS133-T2	SI.DIODE		
D1810	MTZJ8.2C-T2	ZENER DIODE		
D1811	1SS133-T2	SI.DIODE		
△ D1901	D3SBA60	DIODE BRIDGE		
D1910	MA700A-T2	SI.DIODE		
△ D1911	RGP10J-5025-T3	SI.DIODE		
△ D1912	RGP10J-5025-T3	SI.DIODE		
△ D1913	RGP10J-5025-T3	SI.DIODE		
D1914	1SS133-T2	SI.DIODE		
D1915	SARS01-T2	SI.DIODE		
D1917	MTZJ30A-T2	ZENER DIODE		
D1918	MTZJ5.1C-T2	ZENER DIODE		
D1920	1SS133-T2	SI.DIODE		
D1931	RU30A-F1	SI.DIODE		
D1933	RU3YX-LFC4	SI.DIODE		
D1935	RU3YX-LFC4	SI.DIODE		
D1937	RGP10J-5025-T3	SI.DIODE		
D1941	MTZJ33A-T2	ZENER DIODE		
D1945	1SS133-T2	SI.DIODE		
D1952-53	1SS133-T2	SI.DIODE		
D1954-57	1SR35-400A-T2	SI.DIODE		
D1972	MTZJ15C-T2	ZENER DIODE		
D1973	1SS133-T2	SI.DIODE		

TRANSISTOR				
Q1011	2SC5083/L-P/-T	SI.TRANSISTOR		
Q1021	2SC2412K/QR/-X	SI.TRANSISTOR		
Q1024	2SC2412K/QR/-X	SI.TRANSISTOR		
Q1025	2SA1037AK/QR/-X	SI.TRANSISTOR		
Q1041	2SA1037AK/QR/-X	SI.TRANSISTOR		
Q1131	2SC2412K/QR/-X	SI.TRANSISTOR		
Q1232-33	2SC2412K/QR/-X	SI.TRANSISTOR		
Q1352	2SC2412K/QR/-X	SI.TRANSISTOR		
Q1431	2SC2412K/QR/-X	SI.TRANSISTOR		
Q1501	2SC4212/Z1/	SI.TRANSISTOR		
△ Q1511	2SD2559-LB	SI.TRANSISTOR		
Q1531	2SC2785/JH/-T	SI.TRANSISTOR		
Q1532	2SA1037AK/QR/-X	SI.TRANSISTOR		
Q1541-42	2SA1037AK/QR/-X	SI.TRANSISTOR		
△ Q1543	2SD1408/OY/-LB	SI.TRANSISTOR		
Q1700	2SC2412K/QR/-X	SI.TRANSISTOR		
Q1701	2SA1037AK/QR/-X	SI.TRANSISTOR		
Q1703	2SA1037AK/QR/-X	SI.TRANSISTOR		
Q1706	2SC2412K/QR/-X	SI.TRANSISTOR		
Q1711	DTC124EKA-X	DIGI.TRANSISTOR		
Q1810	DTC144EKA-X	DIGI.TRANSISTOR		
Q1941	2SC2412K/QR/-X	SI.TRANSISTOR		
Q1951	2SD1383K/AB/-X	SI.TRANSISTOR		
Q1971	2SA1208/ST/Z1-T	SI.TRANSISTOR		

IC				
IC1101	TB1253AN	I.C.(M)		
△ IC1401	LA7841	I.C.(MONO-ANA)		
IC1701	MN1876478JL1	I.C.(MICRO-COMP)		
IC1702	AT24C04-32D502	I.C.(MEMORY-OTH)	(SERVICE)	
IC1703	MM1437AF-X	I.C.(MONO-ANA)		
IC1852	AN7809F	I.C.(MONO-ANA)		
IC1853	AN7805F	I.C.(MONO-ANA)		
IC1911	STR-G6624/F8	I.C.(HYBRID)		
△ IC1921	SE135N	I.C.(HYBRID)		

OTHERS				
CF1001	QAX0349-001	CERAMIC FILTER		
CF1021	QAX0639-001Z	CERAMIC FILTER		
CF1041	QAX0642-001Z	CERAMIC FILTER		
△ CP1932-33	ICP-N75-Y	I.C.PROTECT		
△ CP1936	ICP-N75-Y	I.C.PROTECT		

FRONT CONTROL PW BOARD ASS'Y (SAC-8502A-M2)

△ Symbol No.	Part No.	Part Name	Description	Local
OTHERS				
△ F1905	QMFZ034-5R0Z-J1	FUSE	5A	
△ FR1521	QRK126J-150X	C R	15Ω 1/2W	J
△ FR1523-24	QRX029J-3R3	MF R	3.3Ω 2W	J
△ FR1525	QRZ9017-4R7	F R	4.7Ω 1/4W	J
J1601	QNN0349-002	PIN JACK		
J1810	QNS0001-001	JACK		
K1401	QQR0621-002Z	BEADS CORE		
K1912	QQR0582-001Z	BEADS CORE		
K1916-17	QQR0582-001Z	BEADS CORE		
K1931-33	QQR0582-001Z	BEADS CORE		
K1935	QQR0582-001Z	BEADS CORE		
K1937	QQR0582-001Z	BEADS CORE		
K1940	QQR0582-001Z	BEADS CORE		
K1941	QQR0621-002Z	BEADS CORE		
LC1601-03	NQR0169-001X	EMI FILTER		
△ PC1921	TLP421F/D4-GR/	I.C.(PH.COUPLER)		
△ RY1941	QSK0120-001	RELAY		
△ RY1951	QSK0113-001	RELAY		
SF1011	QAX0324-002	SAW FILTER		
△ TH1901	QAD0129-3R0	P.THERMISTOR		
△ TU1001	QAU0176-001	TUNER		
X1201	CE40668-001Z	CRYSTAL		
X1700	QAX0307-001	CER.RESONATOR		

CRT SOCKET PW BOARD ASS'Y (SAC-3504A-M2)

△ Symbol No.	Part No.	Part Name	Description	Local
RESISTOR				
R3354-56	NRSA63J-221X	MG R	220Ω 1/16W	J
R3357-59	NRSA63J-101X	MG R	100Ω 1/16W	J
R3360-62	QRZ0111-152	C R	1.5kΩ 1/2W	K
R3363-65	QRG029J-103	OM R	10kΩ 2W	J
R3366-68	NRSA63J-182X	MG R	1.8kΩ 1/16W	J
R3372-74	NRSA63J-221X	MG R	220Ω 1/16W	J
R3375-77	NRSA63J-0R0X	MG R	0.0Ω 1/16W	J
R3381	QRE121J-394Y	C R	390kΩ 1/2W	J
R3391	NRSA63J-152X	MG R	1.5kΩ 1/16W	J
R3392	NRSA63J-392X	MG R	3.9kΩ 1/16W	J
R3393-95	NRSA63J-102X	MG R	1kΩ 1/16W	J
CAPACITOR				
C3354-55	NDC31HJ-331X	C CAP.	330pF 50V	J
C3356	NDC31HJ-391X	C CAP.	390pF 50V	J
C3357	QETN1CM-107Z	E CAP.	100μF 16V	M
C3382	QCZ0121-102	C CAP.	1000pF 3000V	Z
C3391	QETN1AM-227Z	E CAP.	220μF 10V	M
C3392	NDC31HJ-101X	C CAP.	100pF 50V	J
COIL				
L3381	QQL244K-101Z	PEAKING COIL	100μH	K
DIODE				
D3391	1SS133-T2	SI.DIODE		
TRANSISTOR				
Q3351-53	2SC4544-LB	SI.TRANSISTOR		
Q3391	2SA933AS/QR/T	SI.TRANSISTOR		
OTHERS				
△ SK3351	QNZ0464-001	C.R.T.SOCKET		

△ Symbol No.	Part No.	Part Name	Description	Local
RESISTOR				
R8702	NRSA63J-472X	MG R	4.7kΩ 1/16W	J
R8703	NRSA63J-153X	MG R	15kΩ 1/16W	J
R8705	NRSA63J-472X	MG R	4.7kΩ 1/16W	J
R8706	NRSA63J-153X	MG R	15kΩ 1/16W	J
R8707	NRSA63J-332X	MG R	3.3kΩ 1/16W	J
R8708	NRSA63J-152X	MG R	1.5kΩ 1/16W	J
R8709	NRSA63J-561X	MG R	560Ω 1/16W	J

CAPACITOR

C8701	QETN1EM-476Z	E CAP.	47μF 25V	M
-------	--------------	--------	----------	---

DIODE

D8701	SLR-342VR3F	L.E.D.		
-------	-------------	--------	--	--

TRANSISTOR

Q8701-02	DTA124EKA-X	DIGI.TRANSISTOR		
----------	-------------	-----------------	--	--

IC

IC8701	GP1U281Q	IFR DETECT UNIT		
--------	----------	-----------------	--	--

OTHERS

S8701	LC30190-001B-A	L.E.D.HOLDER		
S8702	QSW0619-003Z	PUSH SWITCH	POWER	
S8703	QSW0619-003Z	PUSH SWITCH	MENU	
S8704	QSW0619-003Z	PUSH SWITCH	CH-	
S8705	QSW0619-003Z	PUSH SWITCH	CH+	
S8706	QSW0619-003Z	PUSH SWITCH	VOL-	
			VOL+	

FRONT AV INPUT PW BOARD ASS'Y (SAC-8602A-M2)

△ Symbol No.	Part No.	Part Name	Description	Local
RESISTOR				
R8401	NRSA63J-750X	MG R	75Ω 1/16W	J
R8402-03	NRSA63J-224X	MG R	220kΩ 1/16W	J
CAPACITOR				
C8401	QETN1HM-474Z	E CAP.	0.47μF 50V	M
C8402-03	QETN1HM-105Z	E CAP.	1μF 50V	M
OTHERS				
J8401	QNN0281-003	PIN JACK		
J8402	QNN0281-002	PIN JACK		
J8403	QNN0282-001	PIN JACK		
LC8401	QQR1199-001	FILTER		

LF PW BOARD ASS'Y (SAC-9502A-M2)

△ Symbol No.	Part No.	Part Name	Description	Local
RESISTOR				
R9997	QRE121J-5R6Y	C R	5.6Ω 1/2W J	
△ R9998	QRZ9041-275	C R	2.7MΩ 1/2W K	
CAPACITOR				
△ C9901	QFZ9067-104	MM CAP.	0.1μF	
△ C9902	QFZ9067-473	MM CAP.	0.047μF	
△ C9904	QCZ9052-102	C CAP.	1000pF	
OTHERS				
△ CN90PW	QMPD200-200-JC	POWER CORD		
△ F9901	QMF0007-5R0J1	FUSE	5A	
△ FC9901	CEMG002-001Z	FUSE CLIP		
△ LF9902	QQR0527-003	LINE FILTER		
△ VA9901	ERZV10V621CS	VARIATOR		

AV SELECTOR PW BOARD ASS'Y (SAC0S508A-M2)

△ Symbol No.	Part No.	Part Name	Description	Local
RESISTOR				
R0081	NRSA63J-102X	MG R	1kΩ 1/16W J	
R0082	NRSA63J-682X	MG R	6.8kΩ 1/16W J	
R0083	NRSA63J-153X	MG R	15kΩ 1/16W J	
R0084	NRSA63J-683X	MG R	68kΩ 1/16W J	
R0085	NRSA63J-332X	MG R	3.3kΩ 1/16W J	
R0086	NRSA63J-333X	MG R	33kΩ 1/16W J	
R0087	NRSA63J-153X	MG R	15kΩ 1/16W J	
R0088	NRSA63J-152X	MG R	1.5kΩ 1/16W J	
R0089	NRSA63J-562X	MG R	5.6kΩ 1/16W J	
R0090	NRSA63J-563X	MG R	56kΩ 1/16W J	
R0151-54	NRSA63J-223X	MG R	22kΩ 1/16W J	
R0155	NRSA63J-0R0X	MG R	0.0Ω 1/16W J	
R0157	NRSA63J-0R0X	MG R	0.0Ω 1/16W J	
R0159	NRSA63J-103X	MG R	10kΩ 1/16W J	
R0202	NRSA63J-101X	MG R	100Ω 1/16W J	
R0210	NRSA63J-0R0X	MG R	0.0Ω 1/16W J	
R0211	NRSA63J-153X	MG R	15kΩ 1/16W J	
R0212	NRSA63J-333X	MG R	33kΩ 1/16W J	
R0213	NRSA63J-102X	MG R	1kΩ 1/16W J	
R0214	NRSA63J-181X	MG R	180Ω 1/16W J	
R0215	NRSA63J-152X	MG R	1.5kΩ 1/16W J	
R0216	NRSA63J-182X	MG R	1.8kΩ 1/16W J	
R0217	NRSA63J-102X	MG R	1kΩ 1/16W J	
R0218	NRSA63J-222X	MG R	2.2kΩ 1/16W J	
R0223	NRSA63J-0R0X	MG R	0.0Ω 1/16W J	
R0229	NRSA63J-473X	MG R	47kΩ 1/16W J	
R0230	NRSA63J-223X	MG R	22kΩ 1/16W J	
R0231	NRSA63J-101X	MG R	100Ω 1/16W J	
R0232	NRSA63J-102X	MG R	1kΩ 1/16W J	
R0233	NRSA63J-272X	MG R	2.7kΩ 1/16W J	
R0234	NRSA63J-102X	MG R	1kΩ 1/16W J	
R0235-36	NRSA63J-101X	MG R	100Ω 1/16W J	
R0238	NRSA63J-822X	MG R	8.2kΩ 1/16W J	
R0239	NRSA63J-123X	MG R	12kΩ 1/16W J	
R0241	NRSA63J-821X	MG R	820Ω 1/16W J	
R0242	NRSA63J-474X	MG R	470kΩ 1/16W J	
R0243-44	NRSA63J-103X	MG R	10kΩ 1/16W J	
R0247	NRSA63J-101X	MG R	100Ω 1/16W J	
R0251	NRSA63J-471X	MG R	470Ω 1/16W J	
R0253	NRSA63J-681X	MG R	680Ω 1/16W J	
R0254	NRSA63J-391X	MG R	390Ω 1/16W J	
R0255	NRSA63J-681X	MG R	680Ω 1/16W J	
R0258	NRSA63J-101X	MG R	100Ω 1/16W J	

△ Symbol No.	Part No.	Part Name	Description	Local
RESISTOR				
R0259	NRSA63J-222X	MG R	2.2kΩ 1/16W J	
R0261	NRSA63J-101X	MG R	100Ω 1/16W J	
R0262	NRSA63J-222X	MG R	2.2kΩ 1/16W J	
R0263	NRSA63J-471X	MG R	470Ω 1/16W J	
R0265	NRSA63J-102X	MG R	1kΩ 1/16W J	
R0269	NRSA63J-681X	MG R	680Ω 1/16W J	
R0270	NRSA63J-102X	MG R	1kΩ 1/16W J	
R0301-02	NRSA63J-222X	MG R	2.2kΩ 1/16W J	
R0303-04	NRSA63J-221X	MG R	220Ω 1/16W J	
R0305	NRSA63J-0R0X	MG R	0.0Ω 1/16W J	
R0333-34	NRSA63J-101X	MG R	100Ω 1/16W J	
R0371-74	NRSA63J-103X	MG R	10kΩ 1/16W J	
R0375-76	NRSA63J-333X	MG R	33kΩ 1/16W J	
R0377-78	NRSA63J-472X	MG R	4.7kΩ 1/16W J	
R0385	NRSA63J-223X	MG R	22kΩ 1/16W J	
R0387	NRSA63J-223X	MG R	22kΩ 1/16W J	
R0391-92	NRSA63J-221X	MG R	220Ω 1/16W J	
R0393-94	NRSA63J-823X	MG R	82kΩ 1/16W J	
R0395-96	NRSA63J-221X	MG R	220Ω 1/16W J	
R0401	NRSA63J-183X	MG R	18kΩ 1/16W J	
R0402	NRSA63J-223X	MG R	22kΩ 1/16W J	
R0458	NRSA63J-333X	MG R	33kΩ 1/16W J	
R0459	NRSA63J-183X	MG R	18kΩ 1/16W J	
R0501-02	NRSA63J-102X	MG R	1kΩ 1/16W J	
R0504-05	NRSA63J-102X	MG R	1kΩ 1/16W J	
R0507-08	NRSA63J-102X	MG R	1kΩ 1/16W J	
R0509	NRSA63J-221X	MG R	220Ω 1/16W J	
R0518	NRSA63J-333X	MG R	33kΩ 1/16W J	
R0519-21	NRSA63J-750X	MG R	75Ω 1/16W J	
R0522-23	NRSA63J-224X	MG R	220kΩ 1/16W J	
R0528-29	NRSA63J-0R0X	MG R	0.0Ω 1/16W J	
R0532-33	NRSA63J-224X	MG R	220kΩ 1/16W J	
R0558-61	NRSA63J-0R0X	MG R	0.0Ω 1/16W J	
R0566-67	NRSA63J-331X	MG R	330Ω 1/16W J	
R0571	NRSA63J-101X	MG R	100Ω 1/16W J	
R0573	NRSA63J-272X	MG R	2.7kΩ 1/16W J	
R0574	NRSA63J-0R0X	MG R	0.0Ω 1/16W J	
R0906	NRSA63J-0R0X	MG R	0.0Ω 1/16W J	

CAPACITOR

C0081	NCB21HK-104X	C CAP.	0.1μF	50V	K
C0082	QENC1HM-475Z	BP E CAP.	4.7μF	50V	M
C0083	QENC1HM-105Z	BP E CAP.	1μF	50V	M
C0084	QETN1HM-225Z	E CAP.	2.2μF	50V	M
C0085	NCB21HK-473X	C CAP.	0.047μF	50V	K
C0086	QETN1HM-474Z	E CAP.	0.47μF	50V	M
C0087-88	NCB21HK-104X	C CAP.	0.1μF	50V	K
C0089	QETN1HM-335Z	E CAP.	3.3μF	50V	M
C0090	QETN1HM-105Z	E CAP.	1μF	50V	M
C0091	QETN1HM-106Z	E CAP.	10μF	50V	M
C0092-93	QETN1HM-105Z	E CAP.	1μF	50V	M
C0094	QETN1HM-475Z	E CAP.	4.7μF	50V	M
C0095	QETN1HM-105Z	E CAP.	1μF	50V	M
C0151-52	QENC1HM-105Z	BP E CAP.	1μF	50V	M
C0153-54	NCB31HK-332X	C CAP.	3300pF	50V	K
C0155-56	NCB21HK-333X	C CAP.	0.033μF	50V	K
C0157-58	QETN1HM-106Z	E CAP.	10μF	50V	M
C0159	QETN1EM-476Z	E CAP.	47μF	25V	M
C0160	NCB21HK-104X	C CAP.	0.1μF	50V	K
C0205	QETN1HM-476Z	E CAP.	47μF	50V	M
C0206	NCB31HK-103X	C CAP.	0.01μF	50V	K
C0211	QENC1EM-106Z	BP E CAP.	10μF	25V	M
C0212	NDC31HJ-101X	C CAP.	100pF	50V	J
C0213	NDC31HJ-470X	C CAP.	47pF	50V	J
C0214	NDC31HJ-181X	C CAP.	180pF	50V	J
C0215	QETN1HM-474Z	E CAP.	0.47μF	50V	M
C0223	NCB31HK-103X	C CAP.	0.01μF	50V	K
C0226	NCB31HK-103X	C CAP.	0.01μF	50V	K
C0231-33	QETN1HM-106Z	E CAP.	10μF	50V	M
C0234	NCB31HK-103X	C CAP.	0.01μF	50V	K
C0235	QETN1HM-106Z	E CAP.	10μF	50V	M
C0236	NCB31HK-103X	C CAP.	0.01μF	50V	K

△ Symbol No.	Part No.	Part Name	Description	Local
CAPACITOR				
C0237	NCB31HK-472X	C CAP.	4700pF	50V K
C0238-39	NCB31HK-103X	C CAP.	0.01μF	50V K
C0241-45	NCB31HK-103X	C CAP.	0.01μF	50V K
C0246	NDC31HJ-181X	C CAP.	180pF	50V J
C0247-49	NCB31HK-103X	C CAP.	0.01μF	50V K
C0251	QETN1HM-476Z	E CAP.	47μF	50V M
C0252	NCB31HK-103X	C CAP.	0.01μF	50V K
C0255	NDC31HJ-390X	C CAP.	39pF	50V J
C0263	NDC31HJ-150X	C CAP.	15pF	50V J
C0264	QENC1HM-474Z	BP E CAP.	0.47μF	50V M
C0265	NCB31HK-103X	C CAP.	0.01μF	50V K
C0309-10	NCB31HK-102X	C CAP.	1000pF	50V K
C0311-12	NRSA63J-0R0X	MG R	0.0Ω	1/16W J
C0331	QETN1CM-107Z	E CAP.	100μF	16V M
C0332	NCB31HK-103X	C CAP.	0.01μF	50V K
C0333	QETN1EM-476Z	E CAP.	47μF	25V M
C0334	NCB21HK-273X	C CAP.	0.027μF	50V K
C0335	QETN1HM-225Z	E CAP.	2.2μF	50V M
C0336	NCB31HK-222X	C CAP.	2200pF	50V K
C0337	NCB21HK-104X	C CAP.	0.1μF	50V K
C0338	QETN1HM-225Z	E CAP.	2.2μF	50V M
C0339	NCB31HK-222X	C CAP.	2200pF	50V K
C0340	NCB21HK-104X	C CAP.	0.1μF	50V K
C0343	QETN1HM-105Z	E CAP.	1μF	50V M
C0344-45	QENC1HM-225Z	BP E CAP.	2.2μF	50V M
C0371-72	QENC1HM-105Z	BP E CAP.	1μF	50V M
C0373	QETN1EM-476Z	E CAP.	47μF	25V M
C0391-92	QETN1HM-474Z	E CAP.	0.47μF	50V M
C0401	QETN1CM-107Z	E CAP.	100μF	16V M
C0402-03	NCF21CZ-105X	C CAP.	1μF	16V Z
C0404	QFV71HJ-224Z	MF CAP.	0.22μF	50V J
C0407	QETN1EM-108Z	E CAP.	1000μF	25V M
C0410-11	QETN1EM-108Z	E CAP.	1000μF	25V M
C0412-13	QETN1HM-105Z	E CAP.	1μF	50V M
C0501-02	NCB31HK-103X	C CAP.	0.01μF	50V K
C0503	QETN1HM-226Z	E CAP.	22μF	50V M
C0504	QETN1EM-476Z	E CAP.	47μF	25V M
C0505	QENC1HM-474Z	BP E CAP.	0.47μF	50V M
C0508	QETN1HM-474Z	E CAP.	0.47μF	50V M
C0509	NCB31HK-103X	C CAP.	0.01μF	50V K
C0511	QETN1HM-474Z	E CAP.	0.47μF	50V M
C0512-13	QETN1HM-105Z	E CAP.	1μF	50V M
C0520-21	QETN1HM-105Z	E CAP.	1μF	50V M
C0531-32	NCB31HK-103X	C CAP.	0.01μF	50V K
C0536-39	NCB31HK-103X	C CAP.	0.01μF	50V K

COIL

L0202	QQL244K-150Z	COIL	15μH	K
L0211	QQL244K-4R7Z	COIL	4.7μH	K
L0242-43	QQL244K-4R7Z	COIL	4.7μH	K
L0261	QQL244K-150Z	COIL	15μH	K

DIODE

D0391-92	MTZJ10C-T2	ZENER DIODE		
D0501-02	MTZJ10C-T2	ZENER DIODE		
D0504	MTZJ10C-T2	ZENER DIODE		
D0509	MTZJ10C-T2	ZENER DIODE		
D0511	MTZJ10C-T2	ZENER DIODE		
D0515-19	MTZJ10C-T2	ZENER DIODE		
D0521	MTZJ10C-T2	ZENER DIODE		

TRANSISTOR

Q0211-12	2SC2412K/QR/-X	SI.TRANSISTOR		
Q0218	2SC2412K/QR/-X	SI.TRANSISTOR		
Q0219	2SA1037AK/QR/-X	SI.TRANSISTOR		
Q0251	2SC2412K/QR/-X	SI.TRANSISTOR		
Q0252	2SA1037AK/QR/-X	SI.TRANSISTOR		
Q0253	2SC2412K/QR/-X	SI.TRANSISTOR		
Q0261-62	2SC2412K/QR/-X	SI.TRANSISTOR		
Q0263	2SA1037AK/QR/-X	SI.TRANSISTOR		

△ Symbol No.	Part No.	Part Name	Description	Local
TRANSISTOR				
Q0301-02	DTC124EKA-X	DIGI.TRANSISTOR		
Q0385	DTC323TK-X	DIGI.TRANSISTOR		
Q0387	DTC323TK-X	DIGI.TRANSISTOR		
Q0453	2SC2412K/QR/-X	SI.TRANSISTOR		
Q0454	DTC124EKA-X	DIGI.TRANSISTOR		
Q0509	2SC2412K/QR/-X	SI.TRANSISTOR		

IC

IC0001	UPC1851BCU	I.C.(MONO-ANA)		
IC0151	NJM2150AD	I.C.(MONO-ANA)		
IC0201	TC90A53N	I.C.(DIGI-MOS)		
IC0371	BA15218N	I.C.(MONO-ANA)		
IC0401	LA4485	I.C.(MONO-ANA)		
IC0501	CXA2089Q-X	I.C.(MONO-ANA)		

OTHERS

J0501	QNZ0454-001	PIN JACK		
J0502-03	QNN0348-001	PIN JACK		

REMOTE CONTROL UNIT PARTS LIST (RM-C303G-1A)

△ Ref.No.	Part No.	Part Name	Description	Local
	UR52EC1286C	BATTERY COVER		

DIFFERENCE PARTS LIST BETWEEN AV-36D202/R, AV-36D202/H AND AV-36D202/Y

The picture tubes used for the models AV-36D202/R, AV-36D202/H and AV-36D202/Y are difference. The electrical parts are also difference according to the PICTURE TUBE.

In the DIFFERENCE PARTS LIST BETWEEN AV-36D202/R, AV-36D202/H and AV-36D202/Y, only difference points between these models are written. For other parts not mentioned in the list, please refer to the PARTS LIST(P42 – P47) for the AV-36D202/R.

DIFFERENCE PARTS LIST

MAIN PWB

△	Symbol No.	Part No.			Part Name
		AV-36D202/R	AV-36D202/H	AV-36D202/Y	
		SAC-1524A-M2	SAC-1525A-M2	SAC-1523A-M2	MAIN PWB
	R1288	NRSA02J-471X (470Ω, 1/10W, J)	←	NRSA63J-471Z (470Ω, 1/16W, J)	MG R
	R1403	QRX01GJ-1R0 (1Ω, 1W, J)	←	QRX01GJ-1R2 (1.2Ω, 1W, J)	MF R
	R1404	QRE121J-100J (10Ω, 1/2W, J)	←	—	C R
	R1776	NRSA63J-123X (12kΩ, 1/16W, J)	NRSA63J-272X (2.7kΩ, 1/16W, J)	NRSA63J-123X (12kΩ, 1/16W, J)	MG R
	C1403	NCB21HK-273X (0.027μF, 50V, K)	←	NCB21HK-393X (0.039μF, 50V, K)	C CAP.
△	C1515	QFZ0197-624 (0.62μF, 250V, J)	QFZ0197-564 (0.56μF, 250V, J)	←	MPP CAP.
△	L1511	QQR1027-003	←	CE41029-00A	LINIARITY COIL
△	L1521	QQLZ026-430 (43μH)	←	QQLZ026-500 (50μH)	HEATER CHOKE

CRT SOCKET PWB

△	Symbol No.	Part No.			Part Name
		AV-36D202/R	AV-36D202/H	AV-36D202/Y	
		SAC-3504A-M2	SAC-3505A-M2	SAC-3503A-M2	CRT SOCKET PWB

CRT SOCKET PW BOARD ASS'Y (SAC-3505A-M2)

△	Symbol No.	Part No.	Part Name	Description	Local
RESISTOR					
	R3354-56	NRSA63J-221X	MG R	220Ω 1/16W	J
	R3357-59	NRSA63J-101X	MG R	100Ω 1/16W	J
	R3360-62	QRZ0111-152	C R	1.5kΩ 1/2W	K
	R3363-65	QRG029J-103	OM R	10kΩ 2W	J
	R3366-68	NRSA63J-182X	MG R	1.8kΩ 1/16W	J
	R3372-74	NRSA63J-221X	MG R	220Ω 1/16W	J
	R3375-77	NRSA63J-0R0X	MG R	0.0Ω 1/16W	J
	R3381	QRE121J-394Y	C R	390kΩ 1/2W	J
	R3391	NRSA63J-152X	MG R	1.5kΩ 1/16W	J
	R3392	NRSA63J-392X	MG R	3.9kΩ 1/16W	J
	R3393-95	NRSA63J-102X	MG R	1kΩ 1/16W	J
CAPACITOR					
	C3354-55	NDC31HJ-331X	C CAP.	330pF 50V	J
	C3356	NDC31HJ-391X	C CAP.	390pF 50V	J
	C3357	QETN1CM-107Z	E CAP.	100μF 16V	M
	C3382	QCZ0121-102	C CAP.	1000pF 3000V	Z
	C3391	QETN1AM-227Z	E CAP.	220μF 10V	M
	C3392	NDC31HJ-101X	C CAP.	100pF 50V	J
COIL					
	L3381	QQL244K-101Z	PEAKING COIL	100μH	K
DIODE					
	D3391	1SS133-T2	SI.DIODE		
TRANSISTOR					
	Q3351-53	2SC4544-LB	SI.TRANSISTOR		
	Q3391	2SA933AS/QR/-T	SI.TRANSISTOR		
OTHERS					
△	SK3351	QNZ0464-001	C.R.T.SOCKET		

CRT SOCKET PW BOARD ASS'Y (SAC-3503A-M2)

△	Symbol No.	Part No.	Part Name	Description	Local
RESISTOR					
	R3354-56	NRSA63J-221X	MG R	220Ω 1/16W	J
	R3357-59	NRSA63J-101X	MG R	100Ω 1/16W	J
	R3360-62	QRZ0111-152	C R	1.5kΩ 1/2W	K
	R3363-65	QRG029J-103	OM R	10kΩ 2W	J
	R3366-68	NRSA63J-182X	MG R	1.8kΩ 1/16W	J
	R3372-74	NRSA63J-221X	MG R	220Ω 1/16W	J
	R3375-77	NRSA63J-0R0X	MG R	0.0Ω 1/16W	J
	R3381	QRE121J-394Y	C R	390kΩ 1/2W	J
	R3391	NRSA63J-152X	MG R	1.5kΩ 1/16W	J
	R3392	NRSA63J-392X	MG R	3.9kΩ 1/16W	J
	R3393-95	NRSA63J-102X	MG R	1kΩ 1/16W	J
CAPACITOR					
	C3354-55	NDC31HJ-331X	C CAP.	330pF 50V	J
	C3356	NDC31HJ-391X	C CAP.	390pF 50V	J
	C3357	QETN1CM-107Z	E CAP.	100μF 16V	M
	C3382	QCZ0121-102	C CAP.	1000pF 3000V	Z
	C3391	QETN1AM-227Z	E CAP.	220μF 10V	M
	C3392	NDC31HJ-101X	C CAP.	100pF 50V	J
COIL					
	L3381	QQL244K-101Z	PEAKING COIL	100μH	K
DIODE					
	D3391	1SS133-T2	SI.DIODE		
TRANSISTOR					
	Q3351-53	2SC4544-LB	SI.TRANSISTOR		
	Q3391	2SA933AS/QR/-T	SI.TRANSISTOR		
OTHERS					
△	SK3351	QNZ0464-001	C.R.T.SOCKET		

PRINTED WIRING BOARD PARTS LIST (AV-36D302/R)**MAIN PW BOARD ASS'Y (SAC-1518A-M2)**

△	Symbol No.	Part No.	Part Name	Description	Local	△	Symbol No.	Part No.	Part Name	Description	Local
RESISTOR						RESISTOR					
	R1001	NRSA63J-473X	MG R	47kΩ 1/16W	J		R1522	NRSA63J-561X	MG R	560Ω 1/16W	J
	R1002	NRSA63J-102X	MG R	1kΩ 1/16W	J		R1523	QRJ146J-333X	C R	33kΩ 1/4W	J
	R1003-04	NRSA63J-0R0X	MG R	0.0Ω 1/16W	J	△	R1525	QRZ9011-470	F R	47Ω 1/2W	J
	R1011	NRSA63J-820X	MG R	82Ω 1/16W	J		R1526	QRE121J-272Y	C R	2.7kΩ 1/2W	J
	R1012	NRSA63J-182X	MG R	1.8kΩ 1/16W	J		R1527-28	QRE121J-154Y	C R	150kΩ 1/2W	J
	R1013	NRSA63J-562X	MG R	5.6kΩ 1/16W	J		R1529	NRSA63J-331X	MG R	330Ω 1/16W	J
	R1014	QRE121J-101Y	C R	100Ω 1/2W	J	△	R1531	QRJ146J-391X	C R	390Ω 1/4W	J
	R1015	NRSA63J-180X	MG R	18Ω 1/16W	J		R1532	NRSA63J-273X	MG R	27kΩ 1/16W	J
	R1016	NRSA63J-270X	MG R	27Ω 1/16W	J		R1533-34	NRSA63J-123X	MG R	12kΩ 1/16W	J
	R1018	NRSA63J-104X	MG R	100kΩ 1/16W	J	△	R1535	NRVA02D-242X	MF R	2.4kΩ 1/10W ±0.5%	
	R1020	NRSA63J-332X	MG R	3.3kΩ 1/16W	J	△	R1537	NRZ0032-7151X	MF R	7.15kΩ	
	R1021	NRSA63J-123X	MG R	12kΩ 1/16W	J		R1538	NRSA63J-333X	MG R	33kΩ 1/16W	J
	R1022	NRSA63J-151X	MG R	150Ω 1/16W	J		R1543	QRE121J-122Y	C R	1.2kΩ 1/2W	J
	R1023	NRSA63J-101X	MG R	100Ω 1/16W	J		R1544	QRE121J-392Y	C R	3.9kΩ 1/2W	J
	R1024	NRSA63J-102X	MG R	1kΩ 1/16W	J		R1545	QRE121J-822Y	C R	8.2kΩ 1/2W	J
	R1025	NRSA63J-561X	MG R	560Ω 1/16W	J		R1546	NRSA63J-331X	MG R	330Ω 1/16W	J
	R1026	NRSA63J-331X	MG R	330Ω 1/16W	J		R1547	NRSA63J-104X	MG R	100kΩ 1/16W	J
	R1028	NRSA63J-821X	MG R	820Ω 1/16W	J		R1548	QRE121J-152Y	C R	1.5kΩ 1/2W	J
	R1038	NRSA63J-272X	MG R	2.7kΩ 1/16W	J		R1553	QRL039J-180	OM R	18Ω 3W	J
	R1039-40	NRSA63J-0R0X	MG R	0.0Ω 1/16W	J		R1601-03	NRSA63J-750X	MG R	75Ω 1/16W	J
	R1041	NRSA63J-272X	MG R	2.7kΩ 1/16W	J		R1610-12	NRSA63J-221X	MG R	220Ω 1/16W	J
	R1042-43	NRSA63J-102X	MG R	1kΩ 1/16W	J		R1700-02	NRSA63J-102X	MG R	1kΩ 1/16W	J
	R1045-46	NRSA63J-0R0X	MG R	0.0Ω 1/16W	J		R1704-05	NRSA63J-472X	MG R	4.7kΩ 1/16W	J
	R1047	NRSA63J-153X	MG R	15kΩ 1/16W	J		R1706-07	NRSA63J-103X	MG R	10kΩ 1/16W	J
	R1048	NRSA63J-154X	MG R	150kΩ 1/16W	J		R1708-09	NRSA63J-101X	MG R	100Ω 1/16W	J
	R1101-02	NRSA63J-101X	MG R	100Ω 1/16W	J		R1715	NRSA63J-103X	MG R	10kΩ 1/16W	J
	R1111	NRSA63J-105X	MG R	1MΩ 1/16W	J		R1721-22	NRSA63J-102X	MG R	1kΩ 1/16W	J
	R1131	NRSA63J-272X	MG R	2.7kΩ 1/16W	J		R1724	NRSA63J-102X	MG R	1kΩ 1/16W	J
	R1134	NRSA63J-562X	MG R	5.6kΩ 1/16W	J		R1726-28	NRSA63J-102X	MG R	1kΩ 1/16W	J
	R1135	NRSA63J-102X	MG R	1kΩ 1/16W	J		R1729	NRSA63J-223X	MG R	22kΩ 1/16W	J
	R1140	NRSA63J-562X	MG R	5.6kΩ 1/16W	J		R1731-32	NRSA63J-101X	MG R	100Ω 1/16W	J
	R1141	NRSA63J-0R0X	MG R	0.0Ω 1/16W	J		R1733-34	NRSA63J-272X	MG R	2.7kΩ 1/16W	J
	R1201	NRSA63J-333X	MG R	33kΩ 1/16W	J		R1737	NRSA63J-222X	MG R	2.2kΩ 1/16W	J
	R1231	NRSA63J-182X	MG R	1.8kΩ 1/16W	J		R1738	NRSA63J-102X	MG R	1kΩ 1/16W	J
	R1237	NRSA63J-392X	MG R	3.9kΩ 1/16W	J		R1739	NRSA63J-272X	MG R	2.7kΩ 1/16W	J
	R1238	NRSA63J-473X	MG R	47kΩ 1/16W	J		R1740	NRSA63J-103X	MG R	10kΩ 1/16W	J
	R1241	NRSA63J-332X	MG R	3.3kΩ 1/16W	J		R1741	NRSA63J-0R0X	MG R	0.0Ω 1/16W	J
	R1243	NRSA63J-152X	MG R	1.5kΩ 1/16W	J		R1742-43	NRSA63J-103X	MG R	10kΩ 1/16W	J
	R1281	NRSA63J-182X	MG R	1.8kΩ 1/16W	J		R1748	NRSA63J-103X	MG R	10kΩ 1/16W	J
	R1282	NRSA63J-392X	MG R	3.9kΩ 1/16W	J		R1749-51	NRSA63J-222X	MG R	2.2kΩ 1/16W	J
	R1283	NRSA63J-681X	MG R	680Ω 1/16W	J		R1752	NRSA63J-102X	MG R	1kΩ 1/16W	J
	R1286	NRSA63J-472X	MG R	4.7kΩ 1/16W	J		R1753	NRSA63J-0R0X	MG R	0.0Ω 1/16W	J
	R1287	NRSA63J-101X	MG R	100Ω 1/16W	J		R1754	NRSA63J-102X	MG R	1kΩ 1/16W	J
	R1288	NRSA02J-471X	MG R	470Ω 1/10W	J		R1755	NRSA63J-153X	MG R	15kΩ 1/16W	J
	R1289	NRSA63J-154X	MG R	150kΩ 1/16W	J		R1756	NRSA63J-103X	MG R	10kΩ 1/16W	J
	R1290	NRSA02J-561X	MG R	560Ω 1/10W	J		R1763	NRSA63J-103X	MG R	10kΩ 1/16W	J
	R1291	NRSA63J-103X	MG R	10kΩ 1/16W	J		R1764-68	NRSA63J-221X	MG R	220Ω 1/16W	J
	R1292	NRSA63J-123X	MG R	12kΩ 1/16W	J		R1769-70	NRSA63J-682X	MG R	6.8kΩ 1/16W	J
	R1301-03	NRSA63J-222X	MG R	2.2kΩ 1/16W	J		R1772	NRSA63J-103X	MG R	10kΩ 1/16W	J
	R1304-06	NRSA63J-101X	MG R	100Ω 1/16W	J		R1774	NRSA63J-682X	MG R	6.8kΩ 1/16W	J
	R1354-55	NRSA63J-0R0X	MG R	0.0Ω 1/16W	J		R1775	NRSA63J-473X	MG R	47kΩ 1/16W	J
	R1356	NRSA63J-123X	MG R	12kΩ 1/16W	J		R1776	NRSA63J-123X	MG R	12kΩ 1/16W	J
	R1359	NRSA63J-103X	MG R	10kΩ 1/16W	J		R1777	NRSA63J-103X	MG R	10kΩ 1/16W	J
	R1360	NRSA63J-0R0X	MG R	0.0Ω 1/16W	J		R1793-95	NRSA63J-331X	MG R	330Ω 1/16W	J
	R1401	NRSA63J-822X	MG R	8.2kΩ 1/16W	J		R1798-99	NRSA63J-103X	MG R	10kΩ 1/16W	J
	R1403	QRX01GJ-1R0	MF R	1.0Ω 1W	J		R1800	NRSA63J-103X	MG R	10kΩ 1/16W	J
	R1404	QRE121J-100Y	C R	10Ω 1/2W	J		R1801-04	NRSA63J-0R0X	MG R	0.0Ω 1/16W	J
	R1405	NRSA63J-103X	MG R	10kΩ 1/16W	J		R1806	NRSA63J-102X	MG R	1kΩ 1/16W	J
	R1407	NRSA02J-0R0X	MG R	0.0Ω 1/10W	J		R1807	NRSA63J-222X	MG R	2.2kΩ 1/16W	J
	R1411-12	NRSA63J-103X	MG R	10kΩ 1/16W	J		R1810	NRSA63J-0R0X	MG R	0.0Ω 1/16W	J
	R1414	QRL029J-221	OM R	220Ω 2W	J		R1811	NRSA63J-473X	MG R	47kΩ 1/16W	J
	R1431	QRE121J-272Y	C R	2.7kΩ 1/2W	J		R1812	NRSA63J-102X	MG R	1kΩ 1/16W	J
	R1432	NRSA63J-104X	MG R	100kΩ 1/16W	J		R1814	NRSA63J-104X	MG R	100kΩ 1/16W	J
	R1433	NRSA63J-473X	MG R	47kΩ 1/16W	J		R1815	NRSA63J-154X	MG R	150kΩ 1/16W	J
	R1434	NRSA63J-822X	MG R	8.2kΩ 1/16W	J		R1816	NRSA63J-0R0X	MG R	0.0Ω 1/16W	J
	R1435	NRSA63J-103X	MG R	10kΩ 1/16W	J		R1817	NRSA63J-104X	MG R	100kΩ 1/16W	J
	R1501	NRSA63J-0R0X	MG R	0.0Ω 1/16W	J		R1818	NRSA63J-0R0X	MG R	0.0Ω 1/16W	J
	R1502	NRSA63J-271X	MG R	270Ω 1/16W	J		R1821	NRSA63J-104X	MG R	100kΩ 1/16W	J
	R1503	QRE121J-103Y	C R	10kΩ 1/2W	J		R1824	NRSA63J-103X	MG R	10kΩ 1/16W	J
	R1504-05	QRL039J-152	OM R	1.5kΩ 3W	J		R1827	NRSA63J-102X	MG R	1kΩ 1/16W	J
	R1511	QRE121J-220Y	C R	22Ω 1/2W	J	△	R1857	QRG029J-330	OM R	33Ω 2W	J
	R1512	QRE121J-681Y	C R	680Ω 1/2W	J	△	R1858	QRG029J-180	OM R	18Ω 2W	J

△ Symbol No.	Part No.	Part Name	Description	Local	△ Symbol No.	Part No.	Part Name	Description	Local
RESISTOR					CAPACITOR				
	R1860	NRSA63J-562X	MG R	5.6kΩ 1/16W J	C1286	QETN1HM-106Z	E CAP.	10μF 50V M	
△	R1901	QRF074K-R47	UNF R	0.47Ω 7W K	C1287	QETN1CM-107Z	E CAP.	100μF 16V M	
△	R1909	QRG01GJ-470	OM R	47Ω 1W J	C1288	NCB31HK-103X	C CAP.	0.01μF 50V K	
	R1911	QRE121J-223Y	C R	22kΩ 1/2W J	C1352	QETN1CM-336Z	E CAP.	33μF 16V M	
	R1912-13	QRT029J-R22	MF R	0.22Ω 2W J	C1354	QFV71HJ-154Z	MF CAP.	0.15μF 50V J	
	R1914	QRK126J-681X	C R	680Ω 1/2W J	C1391	QETN1CM-107Z	E CAP.	100μF 16V M	
	R1915	QRE121J-270Y	C R	27Ω 1/2W J	C1392	NCB31HK-103X	C CAP.	0.01μF 50V K	
	R1917	QRK126J-332X	C R	3.3kΩ 1/2W J	C1393-95	NCB21HK-104X	C CAP.	0.1μF 50V K	
	R1918	QRE121J-222Y	C R	2.2kΩ 1/2W J	C1401	NDC21HJ-152X	C CAP.	1500pF 50V J	
	R1919	QRE121J-684Y	C R	680kΩ 1/2W J	C1403	NCB21HK-273X	C CAP.	0.027μF 50V K	
	R1924	QRE121J-222Y	C R	2.2kΩ 1/2W J	C1404	QETN1VM-107Z	E CAP.	100μF 35V M	
	R1930	QRE121J-223Y	C R	22kΩ 1/2W J	C1405	QCS32HJ-100Z	C CAP.	10pF 500V J	
	R1939	QRT039J-2R2	MF R	2.2Ω 3W J	C1407	QFLC2AK-563Z	M CAP.	0.056μF 100V K	
	R1940	QRE121J-181Y	C R	180Ω 1/2W J	C1410	QFLC2AJ-104Z	M CAP.	0.1μF 100V J	
	R1941	QRL029J-183	OM R	18kΩ 2W J	C1411	QETN1HM-105Z	E CAP.	1μF 50V M	
	R1943	NRSA63J-104X	MG R	100kΩ 1/16W J	C1415	NCB21HK-104X	C CAP.	0.1μF 50V K	
	R1944	NRSA63J-122X	MG R	1.2kΩ 1/16W J	C1421	QEHQ1VM-108	E CAP.	1000μF 35V M	
	R1951	NRSA63J-473X	MG R	47kΩ 1/16W J	C1431	QETN1HM-105Z	E CAP.	1μF 50V M	
	R1952	NRSA63J-102X	MG R	1kΩ 1/16W J	C1432	QETN1EM-476Z	E CAP.	47μF 25V M	
	R1953	QRE121J-151Y	C R	150Ω 1/2W J	C1501	QCB32HK-151Z	C CAP.	150pF 500V K	
	R1973	QRE121J-272Y	C R	2.7kΩ 1/2W J	C1502	QCB32HK-331Z	C CAP.	330pF 500V K	
	R1975	QRE121J-223Y	C R	22kΩ 1/2W J	C1503	QEHR2CM-105Z	E CAP.	1μF 160V M	
	R1977	QRE121J-473Y	C R	47kΩ 1/2W J	C1504	QEZ0203-107	E CAP.	100μF 160V M	
	R1978	NRSA63J-333X	MG R	33kΩ 1/16W J	C1507-08	QEM61HK-475Z	E CAP.	4.7μF 50V K	
	R1979-80	QRT029J-1R2	MF R	1.2Ω 2W J	△ C1510	QFZ0196-502	MPP CAP.	5000pF 1.5KVH ±3%	
CAPACITOR					△ C1513	QFZ0198-133	MPP CAP.	0.013μF 1.5KVH ±3%	
C1001	QETN1HM-475Z	E CAP.	4.7μF 50V M	△ C1514	QFP32GJ-183	PP CAP.	0.018μF 400V J		
C1002	QETN1HM-106Z	E CAP.	10μF 50V M	△ C1515	QFZ0197-624	MPP CAP.	0.62μF 250V J		
C1003	QETN1CM-108Z	E CAP.	1000μF 16V M	C1516	QCB32HK-561Z	C CAP.	560pF 500V K		
C1011-12	NCB31HK-103X	C CAP.	0.01μF 50V K	C1521	QETN2EM-106Z	E CAP.	10μF 250V M		
C1014	QETN1CM-107Z	E CAP.	100μF 16V M	C1523	QEHR1EM-108Z	E CAP.	1000μF 25V M		
C1015-16	NCB31HK-103X	C CAP.	0.01μF 50V K	C1524	QETN1EM-108Z	E CAP.	1000μF 25V M		
C1021	QFV71HJ-824Z	MF CAP.	0.82μF 50V J	C1525	QETN1VM-107Z	E CAP.	100μF 35V M		
C1023	QETN1CM-107Z	E CAP.	100μF 16V M	C1526	QFV21HJ-824Z	MF CAP.	0.82μF 50V J		
C1024	NCB31HK-103X	C CAP.	0.01μF 50V K	C1527	QFLC2AJ-103Z	M CAP.	0.01μF 100V J		
C1025	NCB31HK-102X	C CAP.	1000pF 50V K	C1531	QCB32HK-102Z	C CAP.	1000pF 500V K		
C1026	QETN1HM-474Z	E CAP.	0.47μF 50V M	C1533	QETN1HM-106Z	E CAP.	10μF 50V M		
C1027	NCB21HK-104X	C CAP.	0.1μF 50V K	C1601-03	QETN1EM-476Z	E CAP.	47μF 25V M		
C1028	QETN1HM-106Z	E CAP.	10μF 50V M	C1609-11	QFV71HJ-104Z	MF CAP.	0.1μF 50V J		
C1030	NCB31HK-103X	C CAP.	0.01μF 50V K	C1612	QETN1HM-105Z	E CAP.	1μF 50V M		
C1034	NCB31HK-103X	C CAP.	0.01μF 50V K	C1700	NCB31HK-102X	C CAP.	1000pF 50V K		
C1036	QETN1AM-477Z	E CAP.	470μF 10V M	C1703	NDC31HJ-181X	C CAP.	180pF 50V J		
C1037	NCB31HK-103X	C CAP.	0.01μF 50V K	C1706	QETN1HM-105Z	E CAP.	1μF 50V M		
C1038	QETN1CM-107Z	E CAP.	100μF 16V M	C1707	QETN1CM-107Z	E CAP.	100μF 16V M		
C1041-42	QETN1HM-106Z	E CAP.	10μF 50V M	C1710	NCB21EK-683X	C CAP.	0.068μF 25V K		
C1043-44	NDC31HJ-470X	C CAP.	47pF 50V J	C1721	NCB31HK-103X	C CAP.	0.01μF 50V K		
C1045	QETN1HM-106Z	E CAP.	10μF 50V M	C1722-23	NDC31HJ-390X	C CAP.	39pF 50V J		
C1046	NCB31HK-103X	C CAP.	0.01μF 50V K	C1724	NDC31HJ-471X	C CAP.	470pF 50V J		
C1047	NDC21HJ-330X	C CAP.	33pF 50V J	C1726	NDC21HJ-561X	C CAP.	560pF 50V J		
C1048	NCB31HK-103X	C CAP.	0.01μF 50V K	C1800	QETN1CM-107Z	E CAP.	100μF 16V M		
C1111	QETN0JM-228Z	E CAP.	2200μF 6.3V M	C1801	NCB21HK-104X	C CAP.	0.1μF 50V K		
C1112	NCB31HK-103X	C CAP.	0.01μF 50V K	C1802	QETN1CM-107Z	E CAP.	100μF 16V M		
C1113	QETN1HM-474Z	E CAP.	0.47μF 50V M	C1803	QETN1HM-106Z	E CAP.	10μF 50V M		
C1114	QETN1HM-105Z	E CAP.	1μF 50V M	C1804	NDC31HJ-102X	C CAP.	1000pF 50V J		
C1115	QFV71HJ-104Z	MF CAP.	0.1μF 50V J	C1805	NCB31HK-153X	C CAP.	0.015μF 50V K		
C1116	NCB21HK-104X	C CAP.	0.1μF 50V K	C1806-07	QETN1HM-106Z	E CAP.	10μF 50V M		
C1131	NDC31HJ-470X	C CAP.	47pF 50V J	C1810	QETN1HM-474Z	E CAP.	0.47μF 50V M		
C1136	QENC1CM-106Z	BP E CAP.	10μF 16V M	C1811	QETN1HM-105Z	E CAP.	1μF 50V M		
C1151	NCB31HK-103X	C CAP.	0.01μF 50V K	C1813	NCB31HK-102X	C CAP.	1000pF 50V K		
C1152	QENC1HM-105Z	BP E CAP.	1μF 50V M	C1816	NCB31HK-153X	C CAP.	0.015μF 50V K		
C1201	NDC31HJ-100X	C CAP.	10pF 50V J	C1853-54	QETN1CM-227Z	E CAP.	220μF 16V M		
C1202	QETN1HM-224Z	E CAP.	0.22μF 50V M	C1856	QETN1CM-227Z	E CAP.	220μF 16V M		
C1203	NCB31HK-222X	C CAP.	2200pF 50V K	C1857	QETN1CM-477Z	E CAP.	470μF 16V M		
C1233	NDC31HJ-560X	C CAP.	56pF 50V J	△ C1904-06	QCZ9054-102	C CAP.	1000pF 250V z		
C1237	NCB31HK-103X	C CAP.	0.01μF 50V K	△ C1907	QEZ0169-477	E CAP.	470μF 200V M		
C1281	QFV71HJ-474Z	MF CAP.	0.47μF 50V J	△ C1908	QCZ9054-102	C CAP.	1000pF 250V Z		
C1282	QETN1CM-227Z	E CAP.	220μF 16V M	C1912	QCZ0340-222	C CAP.	2200pF 50V J		
C1283	NCB31HK-103X	C CAP.	0.01μF 50V K	C1913	QFLC1HJ-471Z	M CAP.	470pF 50V J		
C1284	QETN1HM-225Z	E CAP.	2.2μF 50V M	C1914	QETN1HM-107Z	E CAP.	100μF 50V M		
C1285	NCB31HK-103X	C CAP.	0.01μF 50V K	C1916	NDC31HJ-331X	C CAP.	330pF 50V J		
				C1917	NCB21HK-122X	C CAP.	1200pF 50V K		
				C1918	NCB21HK-104X	C CAP.	0.1μF 50V K		

△ Symbol No.	Part No.	Part Name	Description	Local
CAPACITOR				
C1919	QFP32GJ-103	PP CAP.	0.01μF 400V	J
C1925	NRSA63J-0R0X	MG R	0.0Ω 1/16W	J
C1931	QEZ0203-107	E CAP.	100μF 160V	M
C1932	QETN1CM-108Z	E CAP.	1000μF 16V	M
C1933	QETM1EM-228	E CAP.	2200μF 25V	M
C1935	QETN1EM-108Z	E CAP.	1000μF 25V	M
C1937	QCZ0340-102	C CAP.	1000pF	
C1938	QETM1EM-228	E CAP.	2200μF 25V	M
C1939	QCB32HK-152Z	C CAP.	1500pF 500V	K
C1941	QCB32HK-102Z	C CAP.	1000pF 500V	K
C1942	QEHR1HM-105Z	E CAP.	1μF 50V	M
C1943	QETN1CM-108Z	E CAP.	1000μF 16V	M
C1948	QETN1EM-476Z	E CAP.	47μF 25V	M
C1951	QETN1CM-477Z	E CAP.	470μF 16V	M
C1971	QETN1CM-107Z	E CAP.	100μF 16V	M
C1972	QETN1EM-476Z	E CAP.	47μF 25V	M
C1973	QETN1HM-106Z	E CAP.	10μF 50V	M
△ C1998-99	QCZ9074-103	C CAP.	0.01μF 125V	M

TRANSFORMER				
T1501	CE42034-002	H.DRIVE TRANSF.		
△ T1502	QQH0092-001	H.V.TRANSF.		
△ T1921	QQS0098-001	SWITCH.TRANSF.		
△ T1951	QQT0315-001	POWER TRANSF.		

COIL				
△ L1001	QQL244K-560Z	PEAKING COIL	56μH	K
L1012	QQLZ014-R39	PEAKING COIL	0.39μH	
L1021	QRN143J-0R0X	C R	0.0Ω 1/4W	J
L1022	QQL244K-220Z	PEAKING COIL	22μH	K
L1027	QRN143J-0R0X	C R	0.0Ω 1/4W	J
L1041	QRN143J-0R0X	C R	0.0Ω 1/4W	J
L1042	QQL244K-220Z	PEAKING COIL	22μH	K
L1101	QQL244K-470Z	COIL	47μH	K
L1232	QQL244K-560Z	PEAKING COIL	56μH	K
△ L1511	QQR1027-003	LINE FILTER		
L1512	QQLZ027-821	CHOKE COIL	820μH	
△ L1521	QQLZ026-430	HEATER CHOKE	43μH	
L1700	QQL244K-4R7Z	COIL	4.7μH	K
L1810	QQL244J-100Z	COIL	10μH	J
L1931	QQL26AK-470Z	COIL	47μH	K
L1933	QQL26AK-470Z	COIL	47μH	K
L1937	QQL26AK-470Z	COIL	47μH	K

DIODE				
D1101-02	MTZJ8.2C-T2	ZENER DIODE		
D1305-10	1SS133-T2	SI.DIODE		
D1352	MTZJ9.1C-T2	ZENER DIODE		
D1353	1SS133-T2	SI.DIODE		
D1401	1SR35-400A-T2	SI.DIODE		
D1431	1SR35-400A-T2	SI.DIODE		
D1432	1SS133-T2	SI.DIODE		
D1501	RH3G-F1	SI.DIODE		
D1502	RU3AM-LFC4	SI.DIODE		
D1521	RH1S-T3	SI.DIODE		
D1523	RGP10J-5025-T3	SI.DIODE		
D1524	RGP10J-5025-T3	SI.DIODE		
D1525-26	1SS81-T5	SI.DIODE		
D1527	1SR124-400A-T2	SI.DIODE		
D1529	MTZJ5.1C-T2	ZENER DIODE		
△ D1531	MA4068N/Z1/-T2	ZENER DIODE		
D1535	1SS133-T2	SI.DIODE		
D1537	1SR35-400A-T2	SI.DIODE		
D1601	MTZJ9.1C-T2	ZENER DIODE		
D1603	MTZJ9.1C-T2	ZENER DIODE		
D1606	MTZJ9.1C-T2	ZENER DIODE		
D1701	1SS133-T2	SI.DIODE		
D1706-10	MTZJ8.2C-T2	ZENER DIODE		
D1721-22	1SS133-T2	SI.DIODE		

△ Symbol No.	Part No.	Part Name	Description	Local
DIODE				
D1723-24	MTZJ5.6B-T2	ZENER DIODE		
D1800	1SS81-T2	SI.DIODE		
D1801	1SS133-T2	SI.DIODE		
D1810	MTZJ8.2C-T2	ZENER DIODE		
D1811	1SS133-T2	SI.DIODE		
△ D1901	D3SBA60	DIODE BRIDGE		
D1910	MA700A-T2	SI.DIODE		
△ D1911	RGP10J-5025-T3	SI.DIODE		
△ D1912	RGP10J-5025-T3	SI.DIODE		
△ D1913	RGP10J-5025-T3	SI.DIODE		
D1914	1SS133-T2	SI.DIODE		
D1915	SARS01-T2	SI.DIODE		
D1917	MTZJ30A-T2	ZENER DIODE		
D1918	MTZJ5.1C-T2	ZENER DIODE		
D1920	1SS133-T2	SI.DIODE		
D1931	RU30A-F1	SI.DIODE		
D1933	RU3YX-LFC4	SI.DIODE		
D1935	RU3YX-LFC4	SI.DIODE		
D1937	RGP10J-5025-T3	SI.DIODE		
D1941	MTZJ33A-T2	ZENER DIODE		
D1945	1SS133-T2	SI.DIODE		
D1952-53	1SS133-T2	SI.DIODE		
D1954-57	1SR35-400A-T2	SI.DIODE		
D1972	MTZJ15C-T2	ZENER DIODE		
D1973	1SS133-T2	SI.DIODE		

TRANSISTOR				
Q1011	2SC5083/L-P/-T	SI.TRANSISTOR		
Q1021	2SC2412K/QR/-X	SI.TRANSISTOR		
Q1024	2SC2412K/QR/-X	SI.TRANSISTOR		
Q1025	2SA1037AK/QR/-X	SI.TRANSISTOR		
Q1041	2SA1037AK/QR/-X	SI.TRANSISTOR		
Q1131	2SC2412K/QR/-X	SI.TRANSISTOR		
Q1232-33	2SC2412K/QR/-X	SI.TRANSISTOR		
Q1352	2SC2412K/QR/-X	SI.TRANSISTOR		
Q1431	2SC2412K/QR/-X	SI.TRANSISTOR		
Q1501	2SC4212/Z1/	SI.TRANSISTOR		
△ Q1511	2SD2559-LB	SI.TRANSISTOR		
Q1531	2SC2785/JH/-T	SI.TRANSISTOR		
Q1532	2SA1037AK/QR/-X	SI.TRANSISTOR		
Q1541-42	2SA1037AK/QR/-X	SI.TRANSISTOR		
△ Q1543	2SD1408/OY/-LB	SI.TRANSISTOR		
Q1700	2SC2412K/QR/-X	SI.TRANSISTOR		
Q1701	2SA1037AK/QR/-X	SI.TRANSISTOR		
Q1703	2SA1037AK/QR/-X	SI.TRANSISTOR		
Q1706	2SC2412K/QR/-X	SI.TRANSISTOR		
Q1711	DTC124EKA-X	DIGI.TRANSISTOR		
Q1810	DTC144EKA-X	DIGI.TRANSISTOR		
Q1941	2SC2412K/QR/-X	SI.TRANSISTOR		
Q1951	2SD1383K/AB/-X	SI.TRANSISTOR		
Q1971	2SA1208/ST/Z1-T	SI.TRANSISTOR		

IC				
IC1101	TB1253AN	I.C.(M)		
△ IC1401	LA7841	I.C.(MONO-ANA)		
IC1701	MN1876478JL1	I.C.(MICRO-COMP)		
IC1702	AT24C04-32D502	I.C.(MEMORY-OTH)	(SERVICE)	
IC1703	MM1437AF-X	I.C.(MONO-ANA)		
IC1852	AN7809F	I.C.(MONO-ANA)		
IC1853	AN7805F	I.C.(MONO-ANA)		
IC1911	STR-G6624/F8	I.C.(HYBRID)		
△ IC1921	SE135N	I.C.(HYBRID)		

OTHERS				
CF1001	QAX0349-001	CERAMIC FILTER		
CF1021	QAX0639-001Z	CERAMIC FILTER		
CF1041	QAX0642-001Z	CERAMIC FILTER		
△ CP1932-33	ICP-N75-Y	I.C.PROTECT		
△ CP1936	ICP-N75-Y	I.C.PROTECT		

FRONT CONTROL PW BOARD ASS'Y (SAC-8502A-M2)

△ Symbol No.	Part No.	Part Name	Description	Local
OTHERS				
△ F1905	QMFZ034-5R0Z-J1	FUSE	5A	
△ FR1521	QRK126J-150X	C R	15Ω 1/2W J	
△ FR1523-24	QRX029J-3R3	MF R	3.3Ω 2W J	
△ FR1525	QRZ9017-4R7	F R	4.7Ω 1/4W J	
J1601	QNN0349-002	PIN JACK		
J1810	QNS0001-001	JACK		
K1401	QQR0621-002Z	BEADS CORE		
K1912	QQR0582-001Z	BEADS CORE		
K1916-17	QQR0582-001Z	BEADS CORE		
K1931-33	QQR0582-001Z	BEADS CORE		
K1935	QQR0582-001Z	BEADS CORE		
K1937	QQR0582-001Z	BEADS CORE		
K1940	QQR0582-001Z	BEADS CORE		
K1941	QQR0621-002Z	BEADS CORE		
LC1601-03	NQR0169-001X	EMI FILTER		
△ PC1921	TLP421F/D4-GR/	I.C.(PH.COUPLER)		
△ RY1941	QSK0120-001	RELAY		
△ RY1951	QSK0113-001	RELAY		
SF1011	QAX0324-002	SAW FILTER		
△ TH1901	QAD0129-3R0	P.THERMISTOR		
△ TU1001	QAU0176-001	TUNER		
X1201	CE40668-001Z	CRYSTAL		
X1700	QAX0307-001	CER.RESONATOR		

CRT SOCKET PW BOARD ASS'Y (SAC-3504A-M2)

△ Symbol No.	Part No.	Part Name	Description	Local
RESISTOR				
R3354-56	NRSA63J-221X	MG R	220Ω 1/16W J	
R3357-59	NRSA63J-101X	MG R	100Ω 1/16W J	
R3360-62	QRZ0111-152	C R	1.5kΩ 1/2W K	
R3363-65	QRG029J-103	OM R	10kΩ 2W J	
R3366-68	NRSA63J-182X	MG R	1.8kΩ 1/16W J	
R3372-74	NRSA63J-221X	MG R	220Ω 1/16W J	
R3375-77	NRSA63J-0R0X	MG R	0.0Ω 1/16W J	
R3381	QRE121J-394Y	C R	390kΩ 1/2W J	
R3391	NRSA63J-152X	MG R	1.5kΩ 1/16W J	
R3392	NRSA63J-392X	MG R	3.9kΩ 1/16W J	
R3393-95	NRSA63J-102X	MG R	1kΩ 1/16W J	

CAPACITOR

C3354-55	NDC31HJ-331X	C CAP.	330pF 50V J	
C3356	NDC31HJ-391X	C CAP.	390pF 50V J	
C3357	QETN1CM-107Z	E CAP.	100μF 16V M	
C3382	QCZ0121-102	C CAP.	1000pF 3000V Z	
C3391	QETN1AM-227Z	E CAP.	220μF 10V M	
C3392	NDC31HJ-101X	C CAP.	100pF 50V J	

COIL

L3381	QQL244K-101Z	PEAKING COIL	100μH	K
-------	--------------	--------------	-------	---

DIODE

D3391	1SS133-T2	SI.DIODE		
-------	-----------	----------	--	--

TRANSISTOR

Q3351-53	2SC4544-LB	SI.TRANSISTOR		
Q3391	2SA933AS/QR/-T	SI.TRANSISTOR		

OTHERS

△ SK3351	QNZ0464-001	C.R.T.SOCKET		
----------	-------------	--------------	--	--

△ Symbol No.	Part No.	Part Name	Description	Local
RESISTOR				
R8702	NRSA63J-472X	MG R	4.7kΩ 1/16W J	
R8703	NRSA63J-153X	MG R	15kΩ 1/16W J	
R8705	NRSA63J-472X	MG R	4.7kΩ 1/16W J	
R8706	NRSA63J-153X	MG R	15kΩ 1/16W J	
R8707	NRSA63J-332X	MG R	3.3kΩ 1/16W J	
R8708	NRSA63J-152X	MG R	1.5kΩ 1/16W J	
R8709	NRSA63J-561X	MG R	560Ω 1/16W J	

CAPACITOR

C8701	QETN1EM-476Z	E CAP.	47μF 25V M	
-------	--------------	--------	------------	--

DIODE

D8701	SLR-342VR3F	L.E.D.		
-------	-------------	--------	--	--

TRANSISTOR

Q8701-02	DTA124EKA-X	DIGI.TRANSISTOR		
----------	-------------	-----------------	--	--

IC

IC8701	GP1U281Q	IFR DETECT UNIT		
--------	----------	-----------------	--	--

OTHERS

S8701	LC30190-001B-A	L.E.D.HOLDER		
S8702	QSW0619-003Z	PUSH SWITCH	POWER	
S8703	QSW0619-003Z	PUSH SWITCH	MENU	
S8704	QSW0619-003Z	PUSH SWITCH	CH-	
S8705	QSW0619-003Z	PUSH SWITCH	CH+	
S8706	QSW0619-003Z	PUSH SWITCH	VOL-	
S8707	QSW0619-003Z	PUSH SWITCH	VOL+	

FRONT AV INPUT PW BOARD ASS'Y (SAC-8602A-M2)

△ Symbol No.	Part No.	Part Name	Description	Local
RESISTOR				
R8401	NRSA63J-750X	MG R	75Ω 1/16W J	
R8402-03	NRSA63J-224X	MG R	220kΩ 1/16W J	
CAPACITOR				
C8401	QETN1HM-474Z	E CAP.	0.47μF 50V M	
C8402-03	QETN1HM-105Z	E CAP.	1μF 50V M	
OTHERS				
J8401	QNN0281-003	PIN JACK		
J8402	QNN0281-002	PIN JACK		
J8403	QNN0282-001	PIN JACK		
LC8401	QQR1199-001	FILTER		

LF PW BOARD ASS'Y (SAC-9502A-M2)

△ Symbol No.	Part No.	Part Name	Description	Local
RESISTOR				
R9997	QRE121J-5R6Y	C R	5.6Ω 1/2W J	
△ R9998	QRZ9041-275	C R	2.7MΩ 1/2W K	
CAPACITOR				
△ C9901	QFZ9067-104	MM CAP.	0.1μF	
△ C9902	QFZ9067-473	MM CAP.	0.047μF	
△ C9904	QCZ9052-102	C CAP.	1000pF	
OTHERS				
△ CN90PW	QMPD200-200-JC	POWER CORD		
△ F9901	QMF0007-5R0J1	FUSE	5A	
△ FC9901	CEMG002-001Z	FUSE CLIP		
△ LF9902	QQR0527-003	LINE FILTER		
△ VA9901	ERZV10V621CS	VARIATOR		

AV SELECTOR PW BOARD ASS'Y (SAC0S507A-M2)

△ Symbol No.	Part No.	Part Name	Description	Local
RESISTOR				
R0081	NRSA63J-102X	MG R	1kΩ 1/16W J	
R0082	NRSA63J-682X	MG R	6.8kΩ 1/16W J	
R0083	NRSA63J-153X	MG R	15kΩ 1/16W J	
R0084	NRSA63J-683X	MG R	68kΩ 1/16W J	
R0085	NRSA63J-332X	MG R	3.3kΩ 1/16W J	
R0086	NRSA63J-333X	MG R	33kΩ 1/16W J	
R0087	NRSA63J-153X	MG R	15kΩ 1/16W J	
R0088	NRSA63J-152X	MG R	1.5kΩ 1/16W J	
R0089	NRSA63J-562X	MG R	5.6kΩ 1/16W J	
R0090	NRSA63J-563X	MG R	56kΩ 1/16W J	
R0151-54	NRSA63J-223X	MG R	22kΩ 1/16W J	
R0155	NRSA63J-0R0X	MG R	0.0Ω 1/16W J	
R0157	NRSA63J-0R0X	MG R	0.0Ω 1/16W J	
R0159	NRSA63J-103X	MG R	10kΩ 1/16W J	
R0202	NRSA63J-101X	MG R	100Ω 1/16W J	
R0210	NRSA63J-0R0X	MG R	0.0Ω 1/16W J	
R0211	NRSA63J-153X	MG R	15kΩ 1/16W J	
R0212	NRSA63J-333X	MG R	33kΩ 1/16W J	
R0213	NRSA63J-102X	MG R	1kΩ 1/16W J	
R0214	NRSA63J-181X	MG R	180Ω 1/16W J	
R0215	NRSA63J-152X	MG R	1.5kΩ 1/16W J	
R0216	NRSA63J-182X	MG R	1.8kΩ 1/16W J	
R0217	NRSA63J-102X	MG R	1kΩ 1/16W J	
R0218	NRSA63J-222X	MG R	2.2kΩ 1/16W J	
R0223	NRSA63J-0R0X	MG R	0.0Ω 1/16W J	
R0229	NRSA63J-473X	MG R	47kΩ 1/16W J	
R0230	NRSA63J-223X	MG R	22kΩ 1/16W J	
R0231	NRSA63J-101X	MG R	100Ω 1/16W J	
R0232	NRSA63J-102X	MG R	1kΩ 1/16W J	
R0233	NRSA63J-272X	MG R	2.7kΩ 1/16W J	
R0234	NRSA63J-102X	MG R	1kΩ 1/16W J	
R0235-36	NRSA63J-101X	MG R	100Ω 1/16W J	
R0238	NRSA63J-822X	MG R	8.2kΩ 1/16W J	
R0239	NRSA63J-123X	MG R	12kΩ 1/16W J	
R0241	NRSA63J-821X	MG R	820Ω 1/16W J	
R0242	NRSA63J-474X	MG R	470kΩ 1/16W J	
R0243-44	NRSA63J-103X	MG R	10kΩ 1/16W J	
R0247	NRSA63J-101X	MG R	100Ω 1/16W J	
R0251	NRSA63J-471X	MG R	470Ω 1/16W J	
R0253	NRSA63J-681X	MG R	680Ω 1/16W J	

△ Symbol No.	Part No.	Part Name	Description	Local
RESISTOR				
R0254	NRSA63J-391X	MG R	390Ω 1/16W J	
R0255	NRSA63J-681X	MG R	680Ω 1/16W J	
R0258	NRSA63J-101X	MG R	100Ω 1/16W J	
R0259	NRSA63J-222X	MG R	2.2kΩ 1/16W J	
R0261	NRSA63J-101X	MG R	100Ω 1/16W J	
R0262	NRSA63J-222X	MG R	2.2kΩ 1/16W J	
R0263	NRSA63J-471X	MG R	470Ω 1/16W J	
R0265	NRSA63J-102X	MG R	1kΩ 1/16W J	
R0269	NRSA63J-681X	MG R	680Ω 1/16W J	
R0270	NRSA63J-102X	MG R	1kΩ 1/16W J	
R0301-02	NRSA63J-222X	MG R	2.2kΩ 1/16W J	
R0303-04	NRSA63J-221X	MG R	220Ω 1/16W J	
R0305	NRSA63J-0R0X	MG R	0.0Ω 1/16W J	
R0333-34	NRSA63J-101X	MG R	100Ω 1/16W J	
R0371-74	NRSA63J-103X	MG R	10kΩ 1/16W J	
R0375-76	NRSA63J-333X	MG R	33kΩ 1/16W J	
R0377-78	NRSA63J-472X	MG R	4.7kΩ 1/16W J	
R0385	NRSA63J-223X	MG R	22kΩ 1/16W J	
R0387	NRSA63J-223X	MG R	22kΩ 1/16W J	
R0391-92	NRSA63J-221X	MG R	220Ω 1/16W J	
R0393-94	NRSA63J-823X	MG R	82kΩ 1/16W J	
R0395-96	NRSA63J-221X	MG R	220Ω 1/16W J	
R0401	NRSA63J-183X	MG R	18kΩ 1/16W J	
R0402	NRSA63J-223X	MG R	22kΩ 1/16W J	
R0458	NRSA63J-333X	MG R	33kΩ 1/16W J	
R0459	NRSA63J-183X	MG R	18kΩ 1/16W J	
R0501-02	NRSA63J-102X	MG R	1kΩ 1/16W J	
R0504-05	NRSA63J-102X	MG R	1kΩ 1/16W J	
R0507-08	NRSA63J-102X	MG R	1kΩ 1/16W J	
R0509	NRSA63J-221X	MG R	220Ω 1/16W J	
R0518	NRSA63J-333X	MG R	33kΩ 1/16W J	
R0519-21	NRSA63J-750X	MG R	75Ω 1/16W J	
R0522-23	NRSA63J-224X	MG R	220kΩ 1/16W J	
R0528-29	NRSA63J-0R0X	MG R	0.0Ω 1/16W J	
R0532-33	NRSA63J-224X	MG R	220kΩ 1/16W J	
R0558-61	NRSA63J-0R0X	MG R	0.0Ω 1/16W J	
R0566-67	NRSA63J-331X	MG R	330Ω 1/16W J	
R0571	NRSA63J-101X	MG R	100Ω 1/16W J	
R0573	NRSA63J-272X	MG R	2.7kΩ 1/16W J	
R0574	NRSA63J-0R0X	MG R	0.0Ω 1/16W J	
R0906	NRSA63J-0R0X	MG R	0.0Ω 1/16W J	
CAPACITOR				
C0081	NCB21HK-104X	C CAP.	0.1μF 50V K	
C0082	QENC1HM-475Z	BP E CAP.	4.7μF 50V M	
C0083	QENC1HM-105Z	BP E CAP.	1μF 50V M	
C0084	QETN1HM-225Z	E CAP.	2.2μF 50V M	
C0085	NCB21HK-473X	C CAP.	0.047μF 50V K	
C0086	QETN1HM-474Z	E CAP.	0.47μF 50V M	
C0087-88	NCB21HK-104X	C CAP.	0.1μF 50V K	
C0089	QETN1HM-335Z	E CAP.	3.3μF 50V M	
C0090	QETN1HM-105Z	E CAP.	1μF 50V M	
C0091	QETN1HM-106Z	E CAP.	10μF 50V M	
C0092-93	QETN1HM-105Z	E CAP.	1μF 50V M	
C0094	QETN1HM-475Z	E CAP.	4.7μF 50V M	
C0095	QETN1HM-105Z	E CAP.	1μF 50V M	
C0151-52	QENC1HM-105Z	BP E CAP.	1μF 50V M	
C0153-54	NCB31HK-332X	C CAP.	3300pF 50V K	
C0155-56	NCB21HK-333X	C CAP.	0.033μF 50V K	
C0157-58	QETN1HM-106Z	E CAP.	10μF 50V M	
C0159	QETN1EM-476Z	E CAP.	47μF 25V M	
C0160	NCB21HK-104X	C CAP.	0.1μF 50V K	
C0205	QETN1HM-476Z	E CAP.	47μF 50V M	
C0206	NCB31HK-103X	C CAP.	0.01μF 50V K	
C0211	QENC1EM-106Z	BP E CAP.	10μF 25V M	
C0212	NDC31HJ-101X	C CAP.	100pF 50V J	
C0213	NDC31HJ-470X	C CAP.	47pF 50V J	
C0214	NDC31HJ-181X	C CAP.	180pF 50V J	
C0215	QETN1HM-474Z	E CAP.	0.47μF 50V M	
C0223	NCB31HK-103X	C CAP.	0.01μF 50V K	

△ Symbol No.	Part No.	Part Name	Description	Local
CAPACITOR				
C0226	NCB31HK-103X	C CAP.	0.01μF 50V	K
C0231-33	QETN1HM-106Z	E CAP.	10μF 50V	M
C0234	NCB31HK-103X	C CAP.	0.01μF 50V	K
C0235	QETN1HM-106Z	E CAP.	10μF 50V	M
C0236	NCB31HK-103X	C CAP.	0.01μF 50V	K
C0237	NCB31HK-472X	C CAP.	4700pF 50V	K
C0238-39	NCB31HK-103X	C CAP.	0.01μF 50V	K
C0241-45	NCB31HK-103X	C CAP.	0.01μF 50V	K
C0246	NDC31HJ-181X	C CAP.	180pF 50V	J
C0247-49	NCB31HK-103X	C CAP.	0.01μF 50V	K
C0251	QETN1HM-476Z	E CAP.	47μF 50V	M
C0252	NCB31HK-103X	C CAP.	0.01μF 50V	K
C0255	NDC31HJ-390X	C CAP.	39pF 50V	J
C0263	NDC31HJ-150X	C CAP.	15pF 50V	J
C0264	QENC1HM-474Z	BP E CAP.	0.47μF 50V	M
C0265	NCB31HK-103X	C CAP.	0.01μF 50V	K
C0309-10	NCB31HK-102X	C CAP.	1000pF 50V	K
C0311-12	NRSA63J-0R0X	MG R	0.0Ω 1/16W	J
C0331	QETN1CM-107Z	E CAP.	100μF 16V	M
C0332	NCB31HK-103X	C CAP.	0.01μF 50V	K
C0333	QETN1EM-476Z	E CAP.	47μF 25V	M
C0334	NCB21HK-273X	C CAP.	0.027μF 50V	K
C0335	QETN1HM-225Z	E CAP.	2.2μF 50V	M
C0336	NCB31HK-222X	C CAP.	2200pF 50V	K
C0337	NCB21HK-104X	C CAP.	0.1μF 50V	K
C0338	QETN1HM-225Z	E CAP.	2.2μF 50V	M
C0339	NCB31HK-222X	C CAP.	2200pF 50V	K
C0340	NCB21HK-104X	C CAP.	0.1μF 50V	K
C0343	QETN1HM-105Z	E CAP.	1μF 50V	M
C0344-45	QENC1HM-225Z	BP E CAP.	2.2μF 50V	M
C0371-72	QENC1HM-105Z	BP E CAP.	1μF 50V	M
C0373	QETN1EM-476Z	E CAP.	47μF 25V	M
C0391-92	QETN1HM-474Z	E CAP.	0.47μF 50V	M
C0401	QETN1CM-107Z	E CAP.	100μF 16V	M
C0402-03	NCF21CZ-105X	C CAP.	1μF 16V	Z
C0404	QFV71HJ-224Z	MF CAP.	0.22μF 50V	J
C0407	QETN1EM-108Z	E CAP.	1000μF 25V	M
C0410-11	QETN1EM-108Z	E CAP.	1000μF 25V	M
C0412-13	QETN1HM-105Z	E CAP.	1μF 50V	M
C0501-02	NCB31HK-103X	C CAP.	0.01μF 50V	K
C0503	QETN1HM-226Z	E CAP.	22μF 50V	M
C0504	QETN1EM-476Z	E CAP.	47μF 25V	M
C0505	QENC1HM-474Z	BP E CAP.	0.47μF 50V	M
C0508	QETN1HM-474Z	E CAP.	0.47μF 50V	M
C0509	NCB31HK-103X	C CAP.	0.01μF 50V	K
C0511	QETN1HM-474Z	E CAP.	0.47μF 50V	M
C0512-13	QETN1HM-105Z	E CAP.	1μF 50V	M
C0520-21	QETN1HM-105Z	E CAP.	1μF 50V	M
C0531-32	NCB31HK-103X	C CAP.	0.01μF 50V	K
C0536-39	NCB31HK-103X	C CAP.	0.01μF 50V	K
COIL				
L0202	QQL244K-150Z	COIL	15μH	K
L0211	QQL244K-4R7Z	COIL	4.7μH	K
L0242-43	QQL244K-4R7Z	COIL	4.7μH	K
L0261	QQL244K-150Z	COIL	15μH	K
DIODE				
D0391-92	MTZJ10C-T2	ZENER DIODE		
D0501-02	MTZJ10C-T2	ZENER DIODE		
D0504	MTZJ10C-T2	ZENER DIODE		
D0509	MTZJ10C-T2	ZENER DIODE		
D0511	MTZJ10C-T2	ZENER DIODE		
D0515-19	MTZJ10C-T2	ZENER DIODE		
D0521	MTZJ10C-T2	ZENER DIODE		
TRANSISTOR				
Q0211-12	2SC2412K/QR/-X	SI.TRANSISTOR		
Q0218	2SC2412K/QR/-X	SI.TRANSISTOR		

△ Symbol No.	Part No.	Part Name	Description	Local
TRANSISTOR				
Q0219	2SA1037AK/QR/-X	SI.TRANSISTOR		
Q0251	2SC2412K/QR/-X	SI.TRANSISTOR		
Q0252	2SA1037AK/QR/-X	SI.TRANSISTOR		
Q0253	2SC2412K/QR/-X	SI.TRANSISTOR		
Q0261-62	2SC2412K/QR/-X	SI.TRANSISTOR		
Q0263	2SA1037AK/QR/-X	SI.TRANSISTOR		
Q0301-02	DTC124EKA-X	DIGI.TRANSISTOR		
Q0385	DTC323TK-X	DIGI.TRANSISTOR		
Q0387	DTC323TK-X	DIGI.TRANSISTOR		
Q0453	2SC2412K/QR/-X	SI.TRANSISTOR		
Q0454	DTC124EKA-X	DIGI.TRANSISTOR		
Q0509	2SC2412K/QR/-X	SI.TRANSISTOR		
IC				
IC0001	UPC1851BCU	I.C.(MONO-ANA)		
IC0151	NJM2150AD	I.C.(MONO-ANA)		
IC0201	TC90A53N	I.C.(DIGI-MOS)		
IC0371	BA15218N	I.C.(MONO-ANA)		
IC0401	LA4485	I.C.(MONO-ANA)		
IC0501	CXA2089Q-X	I.C.(MONO-ANA)		
OTHERS				
J0501	QNZ0454-001	PIN JACK		
J0502-03	QNN0348-001	PIN JACK		

REMOTE CONTROL UNIT PARTS LIST (RM-C303G-1A)

△ Ref.No.	Part No.	Part Name	Description	Local
	UR52EC1286C	BATTERY COVER		

DIFFERENCE PARTS LIST BETWEEN AV-36D302/R, AV-36D302/H AND AV-36D302/Y

The picture tubes used for the models AV-36D302/R, AV-36D302/H and AV-36D302/Y are difference. The electrical parts are also difference according to the PICTURE TUBE.

In the DIFFERENCE PARTS LIST BETWEEN AV-36D302/R, AV-36D302/H and AV-36D302/Y, only difference points between these models are written. For other parts not mentioned in the list, please refer to the PARTS LIST(P50 – P55) for the AV-36D302/R.

DIFFERENCE PARTS LIST

MAIN PWB

△	Symbol No.	Part No.			Part Name
		AV-36D302/R	AV-36D302/H	AV-36D302/Y	
		SAC-1518A-M2	SAC-1519A-M2	SAC-1517A-M2	MAIN PWB
	R1288	NRSA02J-471X (470Ω, 1/10W, J)	←	NRSA63J-471X (470Ω, 1/16W, J)	MG R
	R1403	QRX01GJ-1R0 (1Ω, 1W, J)	←	QRX01GJ-1R5 (1.5Ω, 1W, J)	MF R
	R1404	QRE121J-100Y (10Ω, 1/2W, J)	←	—	C R
	R1775	NRSA63J-473X (47kΩ, 1/16W, J)	←	NRSA63J-563X (56kΩ, 1/16W, J)	MG R
	R1776	NRSA63J-123X (12kΩ, 1/16W, J)	NRSA63J-272X (2.7kΩ, 1/16W, J)	←	MG R
	C1403	NCB21HK-273X (0.027μF, 50V, k)	←	NCB21HK-393X (0.039μF, 50V, K)	C CAP.
△	C1515	QFZ0197-624 (0.62μF, 250V, J)	QFZ0197-564 (0.56μF, 250V, J)	←	MPP CAP.
△	L1511	QQR1027-003	←	CE41029-00A	LINIARITY COIL
△	L1521	QQLZ026-430 (43μH)	←	QQLZ026-500 (50μH)	HEATER CHOKE

CRT SOCKET PWB

△	Symbol No.	Part No.			Part Name
		AV-36D302/R	AV-36D302/H	AV-36D302/Y	
		SAC-3504A-M2	SAC-3505A-M2	SAC-3503A-M2	CRT SOCKET PWB

CRT SOCKET PW BOARD ASS'Y (SAC-3505A-M2)

△	Symbol No.	Part No.	Part Name	Description	Local
RESISTOR					
	R3354-56	NRSA63J-221X	MG R	220Ω 1/16W	J
	R3357-59	NRSA63J-101X	MG R	100Ω 1/16W	J
	R3360-62	QRZ0111-152	C R	1.5kΩ 1/2W	K
	R3363-65	QRG029J-103	OM R	10kΩ 2W	J
	R3366-68	NRSA63J-182X	MG R	1.8kΩ 1/16W	J
	R3372-74	NRSA63J-221X	MG R	220Ω 1/16W	J
	R3375-77	NRSA63J-0R0X	MG R	0.0Ω 1/16W	J
	R3381	QRE121J-394Y	C R	390kΩ 1/2W	J
	R3391	NRSA63J-152X	MG R	1.5kΩ 1/16W	J
	R3392	NRSA63J-392X	MG R	3.9kΩ 1/16W	J
	R3393-95	NRSA63J-102X	MG R	1kΩ 1/16W	J
CAPACITOR					
	C3354-55	NDC31HJ-331X	C CAP.	330pF 50V	J
	C3356	NDC31HJ-391X	C CAP.	390pF 50V	J
	C3357	QETN1CM-107Z	E CAP.	100μF 16V	M
	C3382	QCZ0121-102	C CAP.	1000pF 3000V	Z
	C3391	QETN1AM-227Z	E CAP.	220μF 10V	M
	C3392	NDC31HJ-101X	C CAP.	100pF 50V	J
COIL					
	L3381	QQL244K-101Z	PEAKING COIL	100μH	K
DIODE					
	D3391	1SS133-T2	SI.DIODE		
TRANSISTOR					
	Q3351-53	2SC4544-LB	SI.TRANSISTOR		
	Q3391	2SA933AS/QR/-T	SI.TRANSISTOR		
OTHERS					
△	SK3351	QNZ0464-001	C.R.T.SOCKET		

CRT SOCKET PW BOARD ASS'Y (SAC-3503A-M2)

△	Symbol No.	Part No.	Part Name	Description	Local
RESISTOR					
	R3354-56	NRSA63J-221X	MG R	220Ω 1/16W	J
	R3357-59	NRSA63J-101X	MG R	100Ω 1/16W	J
	R3360-62	QRZ0111-152	C R	1.5kΩ 1/2W	K
	R3363-65	QRG029J-103	OM R	10kΩ 2W	J
	R3366-68	NRSA63J-182X	MG R	1.8kΩ 1/16W	J
	R3372-74	NRSA63J-221X	MG R	220Ω 1/16W	J
	R3375-77	NRSA63J-0R0X	MG R	0.0Ω 1/16W	J
	R3381	QRE121J-394Y	C R	390kΩ 1/2W	J
	R3391	NRSA63J-152X	MG R	1.5kΩ 1/16W	J
	R3392	NRSA63J-392X	MG R	3.9kΩ 1/16W	J
	R3393-95	NRSA63J-102X	MG R	1kΩ 1/16W	J
CAPACITOR					
	C3354-55	NDC31HJ-331X	C CAP.	330pF 50V	J
	C3356	NDC31HJ-391X	C CAP.	390pF 50V	J
	C3357	QETN1CM-107Z	E CAP.	100μF 16V	M
	C3382	QCZ0121-102	C CAP.	1000pF 3000V	Z
	C3391	QETN1AM-227Z	E CAP.	220μF 10V	M
	C3392	NDC31HJ-101X	C CAP.	100pF 50V	J
COIL					
	L3381	QQL244K-101Z	PEAKING COIL	100μH	K
DIODE					
	D3391	1SS133-T2	SI.DIODE		
TRANSISTOR					
	Q3351-53	2SC4544-LB	SI.TRANSISTOR		
	Q3391	2SA933AS/QR/-T	SI.TRANSISTOR		
OTHERS					
△	SK3351	QNZ0464-001	C.R.T.SOCKET		

PRINTED WIRING BOARD PARTS LIST (AV-36D502/Y)**MAIN PW BOARD ASS'Y (SAC-1503A-M2)**

△ Symbol No.	Part No.	Part Name	Description	Local	△ Symbol No.	Part No.	Part Name	Description	Local
RESISTOR					RESISTOR				
R1001	NRSA63J-473X	MG R	47kΩ 1/16W J		R1523	QRJ146J-333X	C R	33kΩ 1/4W J	
R1002	NRSA63J-102X	MG R	1kΩ 1/16W J		△ R1525	QRZ9011-470	F R	47Ω 1/2W J	
R1003-04	NRSA63J-0R0X	MG R	0.0Ω 1/16W J		R1526	QRE121J-272Y	C R	2.7kΩ 1/2W J	
R1011	NRSA63J-820X	MG R	82Ω 1/16W J		R1527-28	QRE121J-154Y	C R	150kΩ 1/2W J	
R1012	NRSA63J-182X	MG R	1.8kΩ 1/16W J		R1529	NRSA63J-331X	MG R	330Ω 1/16W J	
R1013	NRSA63J-562X	MG R	5.6kΩ 1/16W J		△ R1531	QRJ146J-391X	C R	390Ω 1/4W J	
R1014	QRE121J-101Y	C R	100Ω 1/2W J		R1532	NRSA63J-273X	MG R	27kΩ 1/16W J	
R1015	NRSA63J-180X	MG R	18Ω 1/16W J		R1533-34	NRSA63J-123X	MG R	12kΩ 1/16W J	
R1016	NRSA63J-270X	MG R	27Ω 1/16W J		△ R1535	NRVA02D-242X	MF R	2.4kΩ 1/10W ±0.5%	
R1018	NRSA63J-104X	MG R	100kΩ 1/16W J		△ R1537	NRZ0032-7151X	MF R	7.15kΩ	
R1020	NRSA63J-332X	MG R	3.3kΩ 1/16W J		R1538	NRSA63J-333X	MG R	33kΩ 1/16W J	
R1021	NRSA63J-123X	MG R	12kΩ 1/16W J		R1543	QRE121J-122Y	C R	1.2kΩ 1/2W J	
R1022	NRSA63J-151X	MG R	150Ω 1/16W J		R1544	QRE121J-392Y	C R	3.9kΩ 1/2W J	
R1023	NRSA63J-101X	MG R	100Ω 1/16W J		R1545	QRE121J-822Y	C R	8.2kΩ 1/2W J	
R1024	NRSA63J-102X	MG R	1kΩ 1/16W J		R1546	NRSA63J-331X	MG R	330Ω 1/16W J	
R1025	NRSA63J-561X	MG R	560Ω 1/16W J		R1547	NRSA63J-104X	MG R	100kΩ 1/16W J	
R1026	NRSA63J-331X	MG R	330Ω 1/16W J		R1548	QRE121J-152Y	C R	1.5kΩ 1/2W J	
R1028	NRSA63J-821X	MG R	820Ω 1/16W J		R1553	QRL039J-180	OM R	18Ω 3W J	
R1038	NRSA63J-272X	MG R	2.7kΩ 1/16W J		R1601-03	NRSA63J-750X	MG R	75Ω 1/16W J	
R1039-40	NRSA63J-0R0X	MG R	0.0Ω 1/16W J		R1610-12	NRSA63J-221X	MG R	220Ω 1/16W J	
R1041	NRSA63J-272X	MG R	2.7kΩ 1/16W J		R1700-02	NRSA63J-102X	MG R	1kΩ 1/16W J	
R1042-43	NRSA63J-102X	MG R	1kΩ 1/16W J		R1704-05	NRSA63J-472X	MG R	4.7kΩ 1/16W J	
R1045-46	NRSA63J-0R0X	MG R	0.0Ω 1/16W J		R1706-07	NRSA63J-103X	MG R	10kΩ 1/16W J	
R1047	NRSA63J-153X	MG R	15kΩ 1/16W J		R1708-09	NRSA63J-101X	MG R	100Ω 1/16W J	
R1048	NRSA63J-154X	MG R	150kΩ 1/16W J		R1714	NRSA63J-102X	MG R	1kΩ 1/16W J	
R1101-02	NRSA63J-101X	MG R	100Ω 1/16W J		R1715	NRSA63J-103X	MG R	10kΩ 1/16W J	
R1111	NRSA63J-105X	MG R	1MΩ 1/16W J		R1721-22	NRSA63J-102X	MG R	1kΩ 1/16W J	
R1131	NRSA63J-272X	MG R	2.7kΩ 1/16W J		R1724	NRSA63J-102X	MG R	1kΩ 1/16W J	
R1134	NRSA63J-562X	MG R	5.6kΩ 1/16W J		R1726-28	NRSA63J-102X	MG R	1kΩ 1/16W J	
R1135	NRSA63J-102X	MG R	1kΩ 1/16W J		R1729	NRSA63J-223X	MG R	22kΩ 1/16W J	
R1140	NRSA63J-562X	MG R	5.6kΩ 1/16W J		R1731-32	NRSA63J-101X	MG R	100Ω 1/16W J	
R1141	NRSA63J-0R0X	MG R	0.0Ω 1/16W J		R1733-34	NRSA63J-272X	MG R	2.7kΩ 1/16W J	
R1201	NRSA63J-333X	MG R	33kΩ 1/16W J		R1737	NRSA63J-222X	MG R	2.2kΩ 1/16W J	
R1231	NRSA63J-182X	MG R	1.8kΩ 1/16W J		R1738	NRSA63J-102X	MG R	1kΩ 1/16W J	
R1237	NRSA63J-392X	MG R	3.9kΩ 1/16W J		R1739	NRSA63J-272X	MG R	2.7kΩ 1/16W J	
R1238	NRSA63J-473X	MG R	47kΩ 1/16W J		R1740	NRSA63J-103X	MG R	10kΩ 1/16W J	
R1241	NRSA63J-332X	MG R	3.3kΩ 1/16W J		R1741	NRSA63J-0R0X	MG R	0.0Ω 1/16W J	
R1243	NRSA63J-152X	MG R	1.5kΩ 1/16W J		R1742-43	NRSA63J-103X	MG R	10kΩ 1/16W J	
R1281	NRSA63J-182X	MG R	1.8kΩ 1/16W J		R1748	NRSA63J-103X	MG R	10kΩ 1/16W J	
R1282	NRSA63J-392X	MG R	3.9kΩ 1/16W J		R1749-51	NRSA63J-222X	MG R	2.2kΩ 1/16W J	
R1283	NRSA63J-681X	MG R	680Ω 1/16W J		R1752	NRSA63J-102X	MG R	1kΩ 1/16W J	
R1286	NRSA63J-472X	MG R	4.7kΩ 1/16W J		R1753	NRSA63J-0R0X	MG R	0.0Ω 1/16W J	
R1287	NRSA63J-101X	MG R	100Ω 1/16W J		R1754	NRSA63J-102X	MG R	1kΩ 1/16W J	
R1288	NRSA02J-471X	MG R	470Ω 1/10W J		R1755	NRSA63J-153X	MG R	15kΩ 1/16W J	
R1289	NRSA63J-154X	MG R	150kΩ 1/16W J		R1756	NRSA63J-103X	MG R	10kΩ 1/16W J	
R1290	NRSA02J-561X	MG R	560Ω 1/10W J		R1763	NRSA63J-103X	MG R	10kΩ 1/16W J	
R1291	NRSA63J-103X	MG R	10kΩ 1/16W J		R1764-68	NRSA63J-221X	MG R	220Ω 1/16W J	
R1292	NRSA63J-123X	MG R	12kΩ 1/16W J		R1769-70	NRSA63J-682X	MG R	6.8kΩ 1/16W J	
R1301-03	NRSA63J-222X	MG R	2.2kΩ 1/16W J		R1772	NRSA63J-103X	MG R	10kΩ 1/16W J	
R1304-06	NRSA63J-101X	MG R	100Ω 1/16W J		R1774	NRSA63J-682X	MG R	6.8kΩ 1/16W J	
R1354-55	NRSA63J-0R0X	MG R	0.0Ω 1/16W J		R1775	NRSA63J-473X	MG R	47kΩ 1/16W J	
R1356	NRSA63J-123X	MG R	12kΩ 1/16W J		R1776	NRSA63J-123X	MG R	12kΩ 1/16W J	
R1359	NRSA63J-103X	MG R	10kΩ 1/16W J		R1777	NRSA63J-103X	MG R	10kΩ 1/16W J	
R1360	NRSA63J-0R0X	MG R	0.0Ω 1/16W J		R1793-95	NRSA63J-331X	MG R	330Ω 1/16W J	
R1401	NRSA63J-822X	MG R	8.2kΩ 1/16W J		R1798-99	NRSA63J-103X	MG R	10kΩ 1/16W J	
R1403	QRX01GJ-1R5	MF R	1.5Ω 1W J		R1800	NRSA63J-103X	MG R	10kΩ 1/16W J	
R1405	NRSA63J-103X	MG R	10kΩ 1/16W J		R1806	NRSA63J-102X	MG R	1kΩ 1/16W J	
R1407	NRSA02J-0R0X	MG R	0.0Ω 1/10W J		R1807	NRSA63J-222X	MG R	2.2kΩ 1/16W J	
R1411-12	NRSA63J-103X	MG R	10kΩ 1/16W J		R1810	NRSA63J-0R0X	MG R	0.0Ω 1/16W J	
R1414	QRL029J-221	OM R	220Ω 2W J		R1811	NRSA63J-473X	MG R	47kΩ 1/16W J	
R1431	QRE121J-272Y	C R	2.7kΩ 1/2W J		R1812	NRSA63J-102X	MG R	1kΩ 1/16W J	
R1432	NRSA63J-104X	MG R	100kΩ 1/16W J		R1814	NRSA63J-104X	MG R	100kΩ 1/16W J	
R1433	NRSA63J-473X	MG R	47kΩ 1/16W J		R1815	NRSA63J-154X	MG R	150kΩ 1/16W J	
R1434	NRSA63J-822X	MG R	8.2kΩ 1/16W J		R1816	NRSA63J-0R0X	MG R	0.0Ω 1/16W J	
R1435	NRSA63J-103X	MG R	10kΩ 1/16W J		R1817	NRSA63J-104X	MG R	100kΩ 1/16W J	
R1501	NRSA63J-0R0X	MG R	0.0Ω 1/16W J		R1818	NRSA63J-0R0X	MG R	0.0Ω 1/16W J	
R1502	NRSA63J-271X	MG R	270Ω 1/16W J		R1821	NRSA63J-104X	MG R	100kΩ 1/16W J	
R1503	QRE121J-103Y	C R	10kΩ 1/2W J		R1824	NRSA63J-103X	MG R	10kΩ 1/16W J	
R1504-05	QRL039J-152	OM R	1.5kΩ 3W J		R1827	NRSA63J-102X	MG R	1kΩ 1/16W J	
R1511	QRE121J-220Y	C R	22Ω 1/2W J		△ R1857	QRL029J-270	OM R	27Ω 2W J	
R1512	QRE121J-681Y	C R	680Ω 1/2W J		△ R1858	QRG01GJ-270	OM R	27Ω 1W J	
R1522	NRSA63J-561X	MG R	560Ω 1/16W J		R1860	NRSA63J-562X	MG R	5.6kΩ 1/16W J	

△	Symbol No.	Part No.	Part Name	Description	Local	△	Symbol No.	Part No.	Part Name	Description	Local
RESISTOR						CAPACITOR					
△	R1901	QRF074K-R47	UNF R	0.47Ω	7W K	C1288	NCB31HK-103X	C CAP.	0.01μF	50V K	
△	R1909	QRG01GJ-470	OM R	47Ω	1W J	C1352	QETN1CM-336Z	E CAP.	33μF	16V M	
	R1911	QRE121J-223Y	C R	22kΩ	1/2W J	C1354	QFV71HJ-154Z	MF CAP.	0.15μF	50V J	
	R1912-13	QRT029J-R22	MF R	0.22Ω	2W J	C1391	QETN1CM-107Z	E CAP.	100μF	16V M	
	R1914	QRK126J-681X	C R	680Ω	1/2W J	C1392	NCB31HK-103X	C CAP.	0.01μF	50V K	
	R1915	QRE121J-270Y	C R	27Ω	1/2W J	C1393-95	NCB21HK-104X	C CAP.	0.1μF	50V K	
	R1917	QRK126J-332X	C R	3.3kΩ	1/2W J	C1401	NDC21HJ-152X	C CAP.	1500pF	50V J	
	R1918	QRE121J-222Y	C R	2.2kΩ	1/2W J	C1403	NCB21HK-273X	C CAP.	0.027μF	50V K	
	R1919	QRE121J-684Y	C R	680kΩ	1/2W J	C1404	QETN1VM-107Z	E CAP.	100μF	35V M	
	R1924	QRE121J-222Y	C R	2.2kΩ	1/2W J	C1405	QCS32HJ-100Z	C CAP.	10pF	500V J	
	R1930	QRE121J-223Y	C R	22kΩ	1/2W J	C1407	QFLC2AK-563Z	M CAP.	0.056μF	100V K	
	R1939	QRT039J-R22	MF R	2.2Ω	3W J	C1410	QFLC2AJ-104Z	M CAP.	0.1μF	100V J	
	R1940	QRE121J-181Y	C R	180Ω	1/2W J	C1411	QETN1HM-105Z	E CAP.	1μF	50V M	
	R1941	QRL029J-183	OM R	18kΩ	2W J	C1415	NCB21HK-104X	C CAP.	0.1μF	50V K	
	R1943	NRSA63J-104X	MG R	100kΩ	1/16W J	C1421	QEHQ1VM-108	E CAP.	1000μF	35V M	
	R1944	NRSA63J-122X	MG R	1.2kΩ	1/16W J	C1431	QETN1HM-105Z	E CAP.	1μF	50V M	
	R1951	NRSA63J-473X	MG R	47kΩ	1/16W J	C1432	QETN1EM-476Z	E CAP.	47μF	25V M	
	R1952	NRSA63J-102X	MG R	1kΩ	1/16W J	C1501	QCB32HK-151Z	C CAP.	150pF	500V K	
	R1953	QRE121J-151Y	C R	150Ω	1/2W J	C1502	QCB32HK-331Z	C CAP.	330pF	500V K	
	R1973	QRE121J-272Y	C R	2.7kΩ	1/2W J	C1503	QEHR2CM-105Z	E CAP.	1μF	160V M	
	R1975	QRE121J-223Y	C R	22kΩ	1/2W J	C1504	QEZ0203-107	E CAP.	100μF	160V M	
	R1977	QRE121J-473Y	C R	47kΩ	1/2W J	C1507-08	QEM61HK-475Z	E CAP.	4.7μF	50V K	
	R1978	NRSA63J-333X	MG R	33kΩ	1/16W J	△	C1510	QFZ0196-502	MPP CAP.	5000pF	1.5kVH ±3%
	R1979-80	QRT029J-1R2	MF R	1.2Ω	2W J	△	C1513	QFZ0198-133	MPP CAP.	0.013μF	1.5kVH ±3%
CAPACITOR						△	C1514	QFP32GJ-183	PP CAP.	0.018μF	400V J
	C1001	QETN1HM-475Z	E CAP.	4.7μF	50V M	△	C1515	QFZ0197-564	MPP CAP.	0.56μF	250V J
	C1002	QETN1HM-106Z	E CAP.	10μF	50V M	C1516	QCB32HK-561Z	C CAP.	560pF	500V K	
	C1003	QETN1CM-108Z	E CAP.	1000μF	16V M	C1521	QETN2EM-106Z	E CAP.	10μF	250V M	
	C1011-12	NCB31HK-103X	C CAP.	0.01μF	50V K	C1523	QEHR1EM-108Z	E CAP.	1000μF	25V M	
	C1014	QETN1CM-107Z	E CAP.	100μF	16V M	C1524	QETN1EM-108Z	E CAP.	1000μF	25V M	
	C1015-16	NCB31HK-103X	C CAP.	0.01μF	50V K	C1525	QETN1VM-107Z	E CAP.	100μF	35V M	
	C1021	QFV71HJ-824Z	MF CAP.	0.82μF	50V J	C1526	QFV21HJ-824Z	MF CAP.	0.82μF	50V J	
	C1023	QETN1CM-107Z	E CAP.	100μF	16V M	C1527	QFLC2AJ-103Z	M CAP.	0.01μF	100V J	
	C1024	NCB31HK-103X	C CAP.	0.01μF	50V K	C1531	QCB32HK-102Z	C CAP.	1000pF	500V K	
	C1025	NCB31HK-102X	C CAP.	1000pF	50V K	C1533	QETN1HM-106Z	E CAP.	10μF	50V M	
	C1026	QETN1HM-474Z	E CAP.	0.47μF	50V M	C1601-03	QETN1EM-476Z	E CAP.	47μF	25V M	
	C1027	NCB21HK-104X	C CAP.	0.1μF	50V K	C1609-11	QFV71HJ-104Z	MF CAP.	0.1μF	50V J	
	C1028	QETN1HM-106Z	E CAP.	10μF	50V M	C1612	QETN1HM-105Z	E CAP.	1μF	50V M	
	C1030	NCB31HK-103X	C CAP.	0.01μF	50V K	C1700	NCB31HK-102X	C CAP.	1000pF	50V K	
	C1034	NCB31HK-103X	C CAP.	0.01μF	50V K	C1703	NDC31HJ-181X	C CAP.	180pF	50V J	
	C1036	QETN1AM-477Z	E CAP.	470μF	10V M	C1706	QETN1HM-105Z	E CAP.	1μF	50V M	
	C1037	NCB31HK-103X	C CAP.	0.01μF	50V K	C1707	QETN1CM-107Z	E CAP.	100μF	16V M	
	C1038	QETN1CM-107Z	E CAP.	100μF	16V M	C1710	NCB21EK-683X	C CAP.	0.068μF	25V K	
	C1041-42	QETN1HM-106Z	E CAP.	10μF	50V M	C1721	NCB31HK-103X	C CAP.	0.01μF	50V K	
	C1043-44	NDC31HJ-470X	C CAP.	47pF	50V J	C1722-23	NDC31HJ-390X	C CAP.	39pF	50V J	
	C1045	QETN1HM-106Z	E CAP.	10μF	50V M	C1724	NDC31HJ-471X	C CAP.	470pF	50V J	
	C1046	NCB31HK-103X	C CAP.	0.01μF	50V K	C1726	NDC21HJ-561X	C CAP.	560pF	50V J	
	C1047	NDC21HJ-330X	C CAP.	33pF	50V J	C1800	QETN1CM-107Z	E CAP.	100μF	16V M	
	C1048	NCB31HK-103X	C CAP.	0.01μF	50V K	C1801	NCB21HK-104X	C CAP.	0.1μF	50V K	
	C1111	QETN0JM-228Z	E CAP.	2200μF	6.3V M	C1802	QETN1CM-107Z	E CAP.	100μF	16V M	
	C1112	NCB31HK-103X	C CAP.	0.01μF	50V K	C1803	QETN1HM-106Z	E CAP.	10μF	50V M	
	C1113	QETN1HM-474Z	E CAP.	0.47μF	50V M	C1804	NDC31HJ-102X	C CAP.	1000pF	50V J	
	C1114	QETN1HM-105Z	E CAP.	1μF	50V M	C1805	NCB31HK-153X	C CAP.	0.015μF	50V K	
	C1115	QFV71HJ-104Z	MF CAP.	0.1μF	50V J	C1806-07	QETN1HM-106Z	E CAP.	10μF	50V M	
	C1116	NCB21HK-104X	C CAP.	0.1μF	50V K	C1810	QETN1HM-474Z	E CAP.	0.47μF	50V M	
	C1131	NDC31HJ-470X	C CAP.	47pF	50V J	C1811	QETN1HM-105Z	E CAP.	1μF	50V M	
	C1136	QENC1CM-106Z	BP E CAP.	10μF	16V M	C1813	NCB31HK-102X	C CAP.	1000pF	50V K	
	C1151	NCB31HK-103X	C CAP.	0.01μF	50V K	C1816	NCB31HK-153X	C CAP.	0.015μF	50V K	
	C1152	QENC1HM-105Z	BP E CAP.	1μF	50V M	C1853-54	QETN1CM-227Z	E CAP.	220μF	16V M	
	C1201	NDC31HJ-100X	C CAP.	10pF	50V J	C1856	QETN1CM-227Z	E CAP.	220μF	16V M	
	C1202	QETN1HM-224Z	E CAP.	0.22μF	50V M	C1857	QETN1CM-477Z	E CAP.	470μF	16V M	
	C1203	NCB31HK-222X	C CAP.	2200pF	50V K	△	C1904-06	QCZ9054-102	C CAP.	1000pF	250V Z
	C1233	NDC31HJ-560X	C CAP.	56pF	50V J	△	C1907	QEZ0169-477	E CAP.	470μF	200V M
	C1237	NCB31HK-103X	C CAP.	0.01μF	50V K	△	C1908	QCZ9054-102	C CAP.	1000pF	250V Z
	C1281	QFV71HJ-474Z	MF CAP.	0.47μF	50V J	C1912	QCZ0340-222	C CAP.	2200pF		
	C1282	QETN1CM-227Z	E CAP.	220μF	16V M	C1913	QFLC1HJ-471Z	M CAP.	470pF	50V J	
	C1283	NCB31HK-103X	C CAP.	0.01μF	50V K	C1914	QETN1HM-107Z	E CAP.	100μF	50V M	
	C1284	QETN1HM-225Z	E CAP.	2.2μF	50V M	C1916	NDC31HJ-331X	C CAP.	330pF	50V J	
	C1285	NCB31HK-103X	C CAP.	0.01μF	50V K	C1917	NCB21HK-122X	C CAP.	1200pF	50V K	
	C1286	QETN1HM-106Z	E CAP.	10μF	50V M	C1918	NCB21HK-104X	C CAP.	0.1μF	50V K	
	C1287	QETN1CM-107Z	E CAP.	100μF	16V M	C1919	QFP32GJ-103	PP CAP.	0.01μF	400V J	
						C1925	NRSA63J-0R0X	MG R	0.0Ω	1/16W J	

△ Symbol No.	Part No.	Part Name	Description	Local
CAPACITOR				
C1931	QEZO203-107	E CAP.	100μF 160V	M
C1932	QETN1CM-108Z	E CAP.	1000μF 16V	M
C1933	QETM1EM-228	E CAP.	2200μF 25V	M
C1935	QETN1EM-108Z	E CAP.	1000μF 25V	M
C1937	QCZ0340-102	C CAP.	1000pF	
C1938	QETM1EM-228	E CAP.	2200μF 25V	M
C1939	QCB32HK-152Z	C CAP.	1500pF 500V	K
C1941	QCB32HK-102Z	C CAP.	1000pF 500V	K
C1942	QEHR1HM-105Z	E CAP.	1μF 50V	M
C1943	QETN1CM-108Z	E CAP.	1000μF 16V	M
C1948	QETN1EM-476Z	E CAP.	47μF 25V	M
C1951	QETN1CM-477Z	E CAP.	470μF 16V	M
C1971	QETN1CM-107Z	E CAP.	100μF 16V	M
C1972	QETN1EM-476Z	E CAP.	47μF 25V	M
C1973	QETN1HM-106Z	E CAP.	10μF 50V	M
△ C1998-99	QCZ9074-103	C CAP.	0.01μF 125V	M

TRANSFORMER				
T1501	CE42034-002	H.DRIVE TRANSF.		
△ T1502	QQH0092-001	H.V.TRANSF.		
△ T1921	QOS0098-001	SWITCH.TRANSF.		
△ T1951	QQT0315-001	POWER TRANSF.		

COIL				
△ L1001	QQL244K-560Z	PEAKING COIL	56μH	K
L1012	QQLZ014-R39	PEAKING COIL	0.39μH	
L1021	QRN143J-0R0X	C R	0.0Ω	1/4W J
L1022	QQL244K-220Z	PEAKING COIL	22μH	K
L1027	QRN143J-0R0X	C R	0.0Ω	1/4W J
L1041	QRN143J-0R0X	C R	0.0Ω	1/4W J
L1042	QQL244K-220Z	PEAKING COIL	22μH	K
L1101	QQL244K-470Z	COIL	47μH	K
L1232	QQL244K-560Z	PEAKING COIL	56μH	K
△ L1511	CE41029-00A	LINEARITY COIL		
L1512	QQLZ027-821	CHOKE COIL	820μH	
△ L1521	QQLZ026-500	INDUCTOR	50μH	
L1700	QQL244K-4R7Z	COIL	4.7μH	K
L1810	QQL244J-100Z	COIL	10μH	J
L1931	QQL26AK-470Z	COIL	47μH	K
L1933	QQL26AK-470Z	COIL	47μH	K
L1937	QQL26AK-470Z	COIL	47μH	K

DIODE				
D1101-02	MTZJ8.2C-T2	ZENER DIODE		
D1305-10	1SS133-T2	SI.DIODE		
D1352	MTZJ9.1C-T2	ZENER DIODE		
D1353	1SS133-T2	SI.DIODE		
D1401	1SR35-400A-T2	SI.DIODE		
D1431	1SR35-400A-T2	SI.DIODE		
D1432	1SS133-T2	SI.DIODE		
D1501	RH3G-F1	SI.DIODE		
D1502	RU3AM-LFC4	SI.DIODE		
D1521	RH1S-T3	SI.DIODE		
D1523	RGP10J-5025-T3	SI.DIODE		
D1524	RGP10J-5025-T3	SI.DIODE		
D1525-26	1SS81-T5	SI.DIODE		
D1527	1SR124-400A-T2	SI.DIODE		
D1529	MTZJ5.1C-T2	ZENER DIODE		
△ D1531	MA4068N/Z1-T2	ZENER DIODE		
D1535	1SS133-T2	SI.DIODE		
D1537	1SR35-400A-T2	SI.DIODE		
D1601	MTZJ9.1C-T2	ZENER DIODE		
D1603	MTZJ9.1C-T2	ZENER DIODE		
D1606	MTZJ9.1C-T2	ZENER DIODE		
D1701	1SS133-T2	SI.DIODE		
D1706-10	MTZJ8.2C-T2	ZENER DIODE		
D1721-22	1SS133-T2	SI.DIODE		
D1723-24	MTZJ5.6B-T2	ZENER DIODE		
D1800	1SS81-T2	SI.DIODE		
D1801	1SS133-T2	SI.DIODE		

△ Symbol No.	Part No.	Part Name	Description	Local
DIODE				
D1810	MTZJ8.2C-T2	ZENER DIODE		
D1811	1SS133-T2	SI.DIODE		
△ D1901	D3SBA60	DIODE BRIDGE		
D1910	MA700A-T2	SI.DIODE		
△ D1911	RGP10J-5025-T3	SI.DIODE		
△ D1912	RGP10J-5025-T3	SI.DIODE		
△ D1913	RGP10J-5025-T3	SI.DIODE		
D1914	1SS133-T2	SI.DIODE		
D1915	SARS01-T2	SI.DIODE		
D1917	MTZJ30A-T2	ZENER DIODE		
D1918	MTZJ5.1C-T2	ZENER DIODE		
D1920	1SS133-T2	SI.DIODE		
D1931	RU30A-F1	SI.DIODE		
D1933	RU3YX-LFC4	SI.DIODE		
D1935	RU3YX-LFC4	SI.DIODE		
D1937	RGP10J-5025-T3	SI.DIODE		
D1941	MTZJ33A-T2	ZENER DIODE		
D1945	1SS133-T2	SI.DIODE		
D1952-53	1SS133-T2	SI.DIODE		
D1954-57	1SR35-400A-T2	SI.DIODE		
D1972	MTZJ15C-T2	ZENER DIODE		
D1973	1SS133-T2	SI.DIODE		

TRANSISTOR				
Q1011	2SC5083/L-P/-T	SI.TRANSISTOR		
Q1021	2SC2412K/QR/-X	SI.TRANSISTOR		
Q1024	2SC2412K/QR/-X	SI.TRANSISTOR		
Q1025	2SA1037AK/QR/-X	SI.TRANSISTOR		
Q1041	2SA1037AK/QR/-X	SI.TRANSISTOR		
Q1131	2SC2412K/QR/-X	SI.TRANSISTOR		
Q1232-33	2SC2412K/QR/-X	SI.TRANSISTOR		
Q1352	2SC2412K/QR/-X	SI.TRANSISTOR		
Q1431	2SC2412K/QR/-X	SI.TRANSISTOR		
Q1501	2SC4212/Z1/	SI.TRANSISTOR		
△ Q1511	2SD2559-LB	SI.TRANSISTOR		
Q1531	2SC2785/JH/-T	SI.TRANSISTOR		
Q1532	2SA1037AK/QR/-X	SI.TRANSISTOR		
Q1541-42	2SA1037AK/QR/-X	SI.TRANSISTOR		
△ Q1543	2SD1408/OY/-LB	SI.TRANSISTOR		
Q1700	2SC2412K/QR/-X	SI.TRANSISTOR		
Q1701	2SA1037AK/QR/-X	SI.TRANSISTOR		
Q1703	2SA1037AK/QR/-X	SI.TRANSISTOR		
Q1706	2SC2412K/QR/-X	SI.TRANSISTOR		
Q1711	DTC124EKA-X	DIGI.TRANSISTOR		
Q1810	DTC144EKA-X	DIGI.TRANSISTOR		
Q1941	2SC2412K/QR/-X	SI.TRANSISTOR		
Q1951	2SD1383K/AB/-X	SI.TRANSISTOR		
Q1971	2SA1208/ST/Z1-T	SI.TRANSISTOR		

IC				
IC1101	TB1253AN	I.C.(M)		
△ IC1401	LA7841	I.C.(MONO-ANA)		
IC1701	MN1876478JL1	I.C.(MICRO-COMP)		
IC1702	AT24C04-32D502	I.C.(MEMORY-OTH)	(SERVICE)	
IC1703	MM1437AF-X	I.C.(MONO-ANA)		
IC1852	AN7809F	I.C.(MONO-ANA)		
IC1853	AN7805F	I.C.(MONO-ANA)		
IC1911	STR-G6624/F8	I.C.(HYBRID)		
△ IC1921	SE135N	I.C.(HYBRID)		

OTHERS				
CF1001	QAX0349-001	CERAMIC FILTER		
CF1021	QAX0639-001Z	CERAMIC FILTER		
CF1041	QAX0642-001Z	CERAMIC FILTER		
△ CP1932-33	ICP-N75-Y	I.C.PROTECT		
△ CP1936	ICP-N75-Y	I.C.PROTECT		
△ F1905	QMFZ034-5R0Z-J1	FUSE	5A	
△ FR1521	QRK126J-150X	C R	15Ω	1/2W J
△ FR1523-24	QRX029J-3R3	MF R	3.3Ω	2W J
△ FR1525	QRZ9017-4R7	F R	4.7Ω	1/4W J

FRONT CONTROL PW BOARD ASS'Y (SAC-8502A-M2)

△ Symbol No.	Part No.	Part Name	Description	Local
OTHERS				
J1601	QNN0349-002	PIN JACK		
J1810	QNS0001-001	JACK		
K1401	QQR0621-002Z	BEADS CORE		
K1912	QQR0582-001Z	BEADS CORE		
K1916-17	QQR0582-001Z	BEADS CORE		
K1931-33	QQR0582-001Z	BEADS CORE		
K1935	QQR0582-001Z	BEADS CORE		
K1937	QQR0582-001Z	BEADS CORE		
K1940	QQR0582-001Z	BEADS CORE		
K1941	QQR0621-002Z	BEADS CORE		
LC1601-03	NQR0169-001X	EMI FILTER		
△ PC1921	TLP421F/D4-GR/	I.C.(PH.COUPLER)		
△ RY1941	QSK0120-001	RELAY		
△ RY1951	QSK0113-001	RELAY		
△ SF1011	QAX0324-002	SAW FILTER		
△ TH1901	QAD0129-3R0	P.THERMISTOR		
△ TU1001	QAU0234-001	TUNER		
X1201	CE40668-001Z	CRYSTAL		
X1700	QAX0307-001	CER.RESONATOR		

CRT SOCKET PW BOARD ASS'Y (SAC-3503A-M2)

△ Symbol No.	Part No.	Part Name	Description	Local
RESISTOR				
R3354-56	NRSA63J-221X	MG R	220Ω 1/16W J	
R3357-59	NRSA63J-101X	MG R	100Ω 1/16W J	
R3360-62	QRZ0111-152	C R	1.5kΩ 1/2W K	
R3363-65	QRG029J-103	OM R	10kΩ 2W J	
R3366-68	NRSA63J-182X	MG R	1.8kΩ 1/16W J	
R3372-74	NRSA63J-221X	MG R	220Ω 1/16W J	
R3375-77	NRSA63J-0R0X	MG R	0.0Ω 1/16W J	
R3381	QRE121J-394Y	C R	390kΩ 1/2W J	
R3391	NRSA63J-152X	MG R	1.5kΩ 1/16W J	
R3392	NRSA63J-392X	MG R	3.9kΩ 1/16W J	
R3393-95	NRSA63J-102X	MG R	1kΩ 1/16W J	

CAPACITOR

C3354-55	NDC31HJ-331X	C CAP.	330pF 50V J
C3356	NDC31HJ-391X	C CAP.	390pF 50V J
C3357	QETN1CM-107Z	E CAP.	100μF 16V M
C3382	QCZ0121-102	C CAP.	1000pF 3000V Z
C3391	QETN1AM-227Z	E CAP.	220μF 10V M
C3392	NDC31HJ-101X	C CAP.	100pF 50V J

COIL

L3381	QQL244K-101Z	PEAKING COIL	100μH K
-------	--------------	--------------	---------

DIODE

D3391	1SS133-T2	SI.DIODE	
-------	-----------	----------	--

TRANSISTOR

Q3351-53	2SC4544-LB	SI.TRANSISTOR	
Q3391	2SA933AS/QR/-T	SI.TRANSISTOR	

OTHERS

△ SK3351	QNZ0464-001	C.R.T.SOCKET	
----------	-------------	--------------	--

FRONT CONTROL PW BOARD ASS'Y (SAC-8502A-M2)

△ Symbol No.	Part No.	Part Name	Description	Local
RESISTOR				
R8702	NRSA63J-472X	MG R	4.7kΩ 1/16W J	
R8703	NRSA63J-153X	MG R	15kΩ 1/16W J	
R8705	NRSA63J-472X	MG R	4.7kΩ 1/16W J	
R8706	NRSA63J-153X	MG R	15kΩ 1/16W J	
R8707	NRSA63J-332X	MG R	3.3kΩ 1/16W J	
R8708	NRSA63J-152X	MG R	1.5kΩ 1/16W J	
R8709	NRSA63J-561X	MG R	560Ω 1/16W J	

CAPACITOR

C8701	QETN1EM-476Z	E CAP.	47μF 25V M
-------	--------------	--------	------------

DIODE

D8701	SLR-342VR3F	L.E.D.	
-------	-------------	--------	--

TRANSISTOR

Q8701-02	DTA124EKA-X	DIGI.TRANSISTOR	
----------	-------------	-----------------	--

IC

IC8701	GP1U281Q	IFR DETECT UNIT	
--------	----------	-----------------	--

OTHERS

S8701	LC30190-001B-A	L.E.D.HOLDER	
S8702	QSW0619-003Z	PUSH SWITCH	POWER
S8703	QSW0619-003Z	PUSH SWITCH	MENU
S8704	QSW0619-003Z	PUSH SWITCH	CH-
S8705	QSW0619-003Z	PUSH SWITCH	CH+
S8706	QSW0619-003Z	PUSH SWITCH	VOL-
			VOL+

FRONT AV INPUT PW BOARD ASS'Y (SAC-8602A-M2)

△ Symbol No.	Part No.	Part Name	Description	Local
RESISTOR				
R8401	NRSA63J-750X	MG R	75Ω 1/16W J	
R8402-03	NRSA63J-224X	MG R	220kΩ 1/16W J	
CAPACITOR				
C8401	QETN1HM-474Z	E CAP.	0.47μF 50V M	
C8402-03	QETN1HM-105Z	E CAP.	1μF 50V M	
OTHERS				
J8401	QNN0281-003	PIN JACK		
J8402	QNN0281-002	PIN JACK		
J8403	QNN0282-001	PIN JACK		
LC8401	QQR1199-001	FILTER		

LF PW BOARD ASS'Y (SAC-9502A-M2)

△ Symbol No.	Part No.	Part Name	Description	Local
RESISTOR				
R9997	QRE121J-5R6Y	C R	5.6Ω 1/2W J	
△ R9998	QRZ9041-275	C R	2.7MΩ 1/2W K	
CAPACITOR				
△ C9901	QFZ9067-104	MM CAP.	0.1μF	
△ C9902	QFZ9067-473	MM CAP.	0.047μF	
△ C9904	QCZ9052-102	C CAP.	1000pF	
OTHERS				
△ CN90PW	QMPD200-200-JC	POWER CORD		
△ F9901	QMF0007-5R0J1	FUSE	5A	
△ FC9901	CEMG002-001Z	FUSE CLIP		
△ LF9902	QQR0527-003	LINE FILTER		
△ VA9901	ERZV10V621CS	VARISTOR		

PIP PW BOARD ASS'Y (SAC0P502A-M2)

△ Symbol No.	Part No.	Part Name	Description	Local
RESISTOR				
R0001-02	NRSA63J-103X	MG R	10kΩ 1/16W J	
R0003-04	NRSA63J-101X	MG R	100Ω 1/16W J	
R0005	NRSA63J-0R0X	MG R	0.0Ω 1/16W J	
R0011	NRSA63J-0R0X	MG R	0.0Ω 1/16W J	
R0121	NRSA63J-0R0X	MG R	0.0Ω 1/16W J	
R0301	NRSA63J-473X	MG R	47kΩ 1/16W J	
R0303	NRSA63J-222X	MG R	2.2kΩ 1/16W J	
R0304	NRSA63J-473X	MG R	47kΩ 1/16W J	
R0306	NRSA63J-222X	MG R	2.2kΩ 1/16W J	
R0307-08	NRSA63J-332X	MG R	3.3kΩ 1/16W J	
R0309	NRSA63J-102X	MG R	1kΩ 1/16W J	
R0311	NRSA63J-101X	MG R	100Ω 1/16W J	
R0313	NRSA63J-101X	MG R	100Ω 1/16W J	
R0314	NRSA63J-0R0X	MG R	0.0Ω 1/16W J	
R0316	NRSA63J-331X	MG R	330Ω 1/16W J	
R0317	NRSA63J-0R0X	MG R	0.0Ω 1/16W J	
R0331	NRSA63J-0R0X	MG R	0.0Ω 1/16W J	
R0337	NRSA63J-0R0X	MG R	0.0Ω 1/16W J	
R0343	NRSA63J-0R0X	MG R	0.0Ω 1/16W J	
CAPACITOR				
C0003-04	QETN1HM-106Z	E CAP.	10μF 50V M	
C0006	QETN1HM-106Z	E CAP.	10μF 50V M	
C0008	QETN1EM-476Z	E CAP.	47μF 25V M	
C0301-02	NRSA63J-0R0X	MG R	0.0Ω 1/16W J	
C0312-13	NDC31HJ-270X	C CAP.	27pF 50V J	
C0314	QETN1HM-106Z	E CAP.	10μF 50V M	
C0315	NCB31HK-103X	C CAP.	0.01μF 50V K	
C0316-18	NCB21HK-104X	C CAP.	0.1μF 50V K	
C0319	QETN1HM-106Z	E CAP.	10μF 50V M	
C0320	NCB31HK-103X	C CAP.	0.01μF 50V K	
C0321	QETN1HM-105Z	E CAP.	1μF 50V M	
C0322	NCB31HK-103X	C CAP.	0.01μF 50V K	
C0323	QETN1HM-106Z	E CAP.	10μF 50V M	
C0324-25	NCB31HK-103X	C CAP.	0.01μF 50V K	
C0326	NCB21HK-104X	C CAP.	0.1μF 50V K	
C0327	QETN1HM-225Z	E CAP.	2.2μF 50V M	
C0328	NCB31HK-103X	C CAP.	0.01μF 50V K	
C0329	QETN1HM-225Z	E CAP.	2.2μF 50V M	
C0330	NCB31HK-103X	C CAP.	0.01μF 50V K	
C0331	NCB21HK-104X	C CAP.	0.1μF 50V K	

△ Symbol No.	Part No.	Part Name	Description	Local
COIL				
L0302-04	QQL244J-6R8Z	COIL	6.8μH J	
DIODE				
D0301	1SS133-T2	SI.DIODE		
TRANSISTOR				
Q0301-03	2SC2412K/QR/-X	SI.TRANSISTOR		
IC				
IC0001	AN7805F	I.C.(MONO-ANA)		
IC0301	SDA9389X-X	I.C.(DIGI-MOS)		
OTHERS				
△ TU0001	QAU0206-001	TUNER		
X0301	QAX0521-001Z	CRYSTAL		

AV SELECTOR PW BOARD ASS'Y (SAC0S504A-M2)

△ Symbol No.	Part No.	Part Name	Description	Local
RESISTOR				
R0081	NRSA63J-102X	MG R	1kΩ 1/16W J	
R0082	NRSA63J-682X	MG R	6.8kΩ 1/16W J	
R0083	NRSA63J-153X	MG R	15kΩ 1/16W J	
R0084	NRSA63J-683X	MG R	68kΩ 1/16W J	
R0085	NRSA63J-332X	MG R	3.3kΩ 1/16W J	
R0086	NRSA63J-333X	MG R	33kΩ 1/16W J	
R0087	NRSA63J-153X	MG R	15kΩ 1/16W J	
R0088	NRSA63J-152X	MG R	1.5kΩ 1/16W J	
R0089	NRSA63J-562X	MG R	5.6kΩ 1/16W J	
R0090	NRSA63J-563X	MG R	56kΩ 1/16W J	
R0151-54	NRSA63J-223X	MG R	22kΩ 1/16W J	
R0155	NRSA63J-0R0X	MG R	0.0Ω 1/16W J	
R0157	NRSA63J-0R0X	MG R	0.0Ω 1/16W J	
R0159	NRSA63J-103X	MG R	10kΩ 1/16W J	
R0202	NRSA63J-101X	MG R	100Ω 1/16W J	
R0210	NRSA63J-0R0X	MG R	0.0Ω 1/16W J	
R0211	NRSA63J-153X	MG R	15kΩ 1/16W J	
R0212	NRSA63J-333X	MG R	33kΩ 1/16W J	
R0213	NRSA63J-102X	MG R	1kΩ 1/16W J	
R0214	NRSA63J-181X	MG R	180Ω 1/16W J	
R0215	NRSA63J-152X	MG R	1.5kΩ 1/16W J	
R0216	NRSA63J-182X	MG R	1.8kΩ 1/16W J	
R0217	NRSA63J-102X	MG R	1kΩ 1/16W J	
R0218	NRSA63J-222X	MG R	2.2kΩ 1/16W J	
R0223	NRSA63J-0R0X	MG R	0.0Ω 1/16W J	
R0229	NRSA63J-473X	MG R	47kΩ 1/16W J	
R0230	NRSA63J-223X	MG R	22kΩ 1/16W J	
R0231	NRSA63J-101X	MG R	100Ω 1/16W J	
R0232	NRSA63J-102X	MG R	1kΩ 1/16W J	
R0233	NRSA63J-272X	MG R	2.7kΩ 1/16W J	
R0234	NRSA63J-102X	MG R	1kΩ 1/16W J	
R0235-36	NRSA63J-101X	MG R	100Ω 1/16W J	
R0238	NRSA63J-822X	MG R	8.2kΩ 1/16W J	
R0239	NRSA63J-123X	MG R	12kΩ 1/16W J	
R0241	NRSA63J-821X	MG R	820Ω 1/16W J	
R0242	NRSA63J-474X	MG R	470kΩ 1/16W J	
R0243-44	NRSA63J-103X	MG R	10kΩ 1/16W J	
R0247	NRSA63J-101X	MG R	100Ω 1/16W J	
R0251	NRSA63J-471X	MG R	470Ω 1/16W J	
R0253	NRSA63J-681X	MG R	680Ω 1/16W J	

△ Symbol No.	Part No.	Part Name	Description	Local
TRANSISTOR				
Q0211-12	2SC2412K/QR/-X	SI.TRANSISTOR		
Q0218	2SC2412K/QR/-X	SI.TRANSISTOR		
Q0219	2SA1037AK/QR/-X	SI.TRANSISTOR		
Q0251	2SC2412K/QR/-X	SI.TRANSISTOR		
Q0252	2SA1037AK/QR/-X	SI.TRANSISTOR		
Q0253	2SC2412K/QR/-X	SI.TRANSISTOR		
Q0261-62	2SC2412K/QR/-X	SI.TRANSISTOR		
Q0263	2SA1037AK/QR/-X	SI.TRANSISTOR		
Q0301-02	DTC124EKA-X	DIGI.TRANSISTOR		
Q0385	DTC323TK-X	DIGI.TRANSISTOR		
Q0387	DTC323TK-X	DIGI.TRANSISTOR		
Q0453	2SC2412K/QR/-X	SI.TRANSISTOR		
Q0454	DTC124EKA-X	DIGI.TRANSISTOR		
Q0509	2SC2412K/QR/-X	SI.TRANSISTOR		
IC				
IC0001	UPC1851BCU	I.C.(MONO-ANA)		
IC0151	NJM2150AD	I.C.(MONO-ANA)		
IC0201	TC90A53N	I.C.(DIGI-MOS)		
IC0371	BA15218N	I.C.(MONO-ANA)		
IC0401	LA4485	I.C.(MONO-ANA)		
IC0501	CXA2089Q-X	I.C.(MONO-ANA)		
OTHERS				
J0501	QNZ0454-001	PIN JACK		
J0502	QNZ0531-001	AV JACK		
J0503	QNN0348-001	PIN JACK		

REMOTE CONTROL UNIT PARTS LIST (RM-C301G-2A)

△ Ref.No.	Part No.	Part Name	Description	Local
	UR52EC1286C	BATTERY COVER		

DIFFERENCE PARTS LIST BETWEEN AV-36D502/Y, AV-36D502/H AND AV-36D502/R

The picture tubes used for the models AV-36D502/Y, AV-36D502/H and AV-36D502/R are difference. The electrical parts are also difference according to the PICTURE TUBE.

In the DIFFERENCE PARTS LIST BETWEEN AV-36D502/Y, AV-36D502/H and AV-36D502/R, only difference points between these models are written. For other parts not mentioned in the list, please refer to the PARTS LIST(P58 – P64) for the AV-36D502/Y.

DIFFERENCE PARTS LIST

MAIN PWB

△	Symbol No.	Part No.			Part Name
		AV-36D502/Y	AV-36D502/H	AV-36D502/R	
		SAC-1504A-M2	SAC-1505A-M2	SAC-1503A-M2	MAIN PWB
	R1403	QRX01GJ-1R5 (1.5Ω, 1W, J)	QRX01GJ-1R0 (1Ω, 1W, J)	←	MF R
	R1404	—	QRE121J-100Y (10Ω, 1/2W, J)	←	C R
△	C1515	QFZ0197-564 (0.56μF, 250V, J)	←	QFZ0197-624 (0.62μF, 250V, J)	MPP CAP.
△	L1511	CE41029-00A	QQR1027-003	←	LINIARITY COIL
△	L1521	QQLZ026-500 (50μH)	QQLZ026-430 (43μH)	←	HEATER CHOKE

CRT SOCKET PWB

△	Symbol No.	Part No.			Part Name
		AV-36D502/Y	AV-36D502/H	AV-36D502/R	
		SAC-3503A-M2	SAC-3505A-M2	SAC-3504A-M2	CRT SOCKET PWB

CRT SOCKET PW BOARD ASS'Y (SAC-3505A-M2)

△ Symbol No. Part No. Part Name Description Local

RESISTOR

R3354-56	NRSA63J-221X	MG R	220Ω	1/16W	J
R3357-59	NRSA63J-101X	MG R	100Ω	1/16W	J
R3360-62	QRZ0111-152	C R	1.5kΩ	1/2W	K
R3363-65	QRG029J-103	OM R	10kΩ	2W	J
R3366-68	NRSA63J-182X	MG R	1.8kΩ	1/16W	J
R3372-74	NRSA63J-221X	MG R	220Ω	1/16W	J
R3375-77	NRSA63J-0R0X	MG R	0.0Ω	1/16W	J
R3381	QRE121J-394Y	C R	390kΩ	1/2W	J
R3391	NRSA63J-152X	MG R	1.5kΩ	1/16W	J
R3392	NRSA63J-392X	MG R	3.9kΩ	1/16W	J
R3393-95	NRSA63J-102X	MG R	1kΩ	1/16W	J

CAPACITOR

C3354-55	NDC31HJ-331X	C CAP.	330pF	50V	J
C3356	NDC31HJ-391X	C CAP.	390pF	50V	J
C3357	QETN1CM-107Z	E CAP.	100μF	16V	M
C3382	QCZ0121-102	C CAP.	1000pF	3000V	Z
C3391	QETN1AM-227Z	E CAP.	220μF	10V	M
C3392	NDC31HJ-101X	C CAP.	100pF	50V	J

COIL

L3381	QQL244K-101Z	PEAKING COIL	100μH		K
-------	--------------	--------------	-------	--	---

DIODE

D3391	1SS133-T2	SI.DIODE			
-------	-----------	----------	--	--	--

TRANSISTOR

Q3351-53	2SC4544-LB	SI.TRANSISTOR			
Q3391	2SA933AS/QR/-T	SI.TRANSISTOR			

OTHERS

△ SK3351	QNZ0464-001	C.R.T.SOCKET			
----------	-------------	--------------	--	--	--

CRT SOCKET PW BOARD ASS'Y (SAC-3504A-M2)

△ Symbol No. Part No. Part Name Description Local

RESISTOR

R3354-56	NRSA63J-221X	MG R	220Ω	1/16W	J
R3357-59	NRSA63J-101X	MG R	100Ω	1/16W	J
R3360-62	QRZ0111-152	C R	1.5kΩ	1/2W	K
R3363-65	QRG029J-103	OM R	10kΩ	2W	J
R3366-68	NRSA63J-182X	MG R	1.8kΩ	1/16W	J
R3372-74	NRSA63J-221X	MG R	220Ω	1/16W	J
R3375-77	NRSA63J-0R0X	MG R	0.0Ω	1/16W	J
R3381	QRE121J-394Y	C R	390kΩ	1/2W	J
R3391	NRSA63J-152X	MG R	1.5kΩ	1/16W	J
R3392	NRSA63J-392X	MG R	3.9kΩ	1/16W	J
R3393-95	NRSA63J-102X	MG R	1kΩ	1/16W	J

CAPACITOR

C3354-55	NDC31HJ-331X	C CAP.	330pF	50V	J
C3356	NDC31HJ-391X	C CAP.	390pF	50V	J
C3357	QETN1CM-107Z	E CAP.	100μF	16V	M
C3382	QCZ0121-102	C CAP.	1000pF	3000V	Z
C3391	QETN1AM-227Z	E CAP.	220μF	10V	M
C3392	NDC31HJ-101X	C CAP.	100pF	50V	J

COIL

L3381	QQL244K-101Z	PEAKING COIL	100μH		K
-------	--------------	--------------	-------	--	---

DIODE

D3391	1SS133-T2	SI.DIODE			
-------	-----------	----------	--	--	--

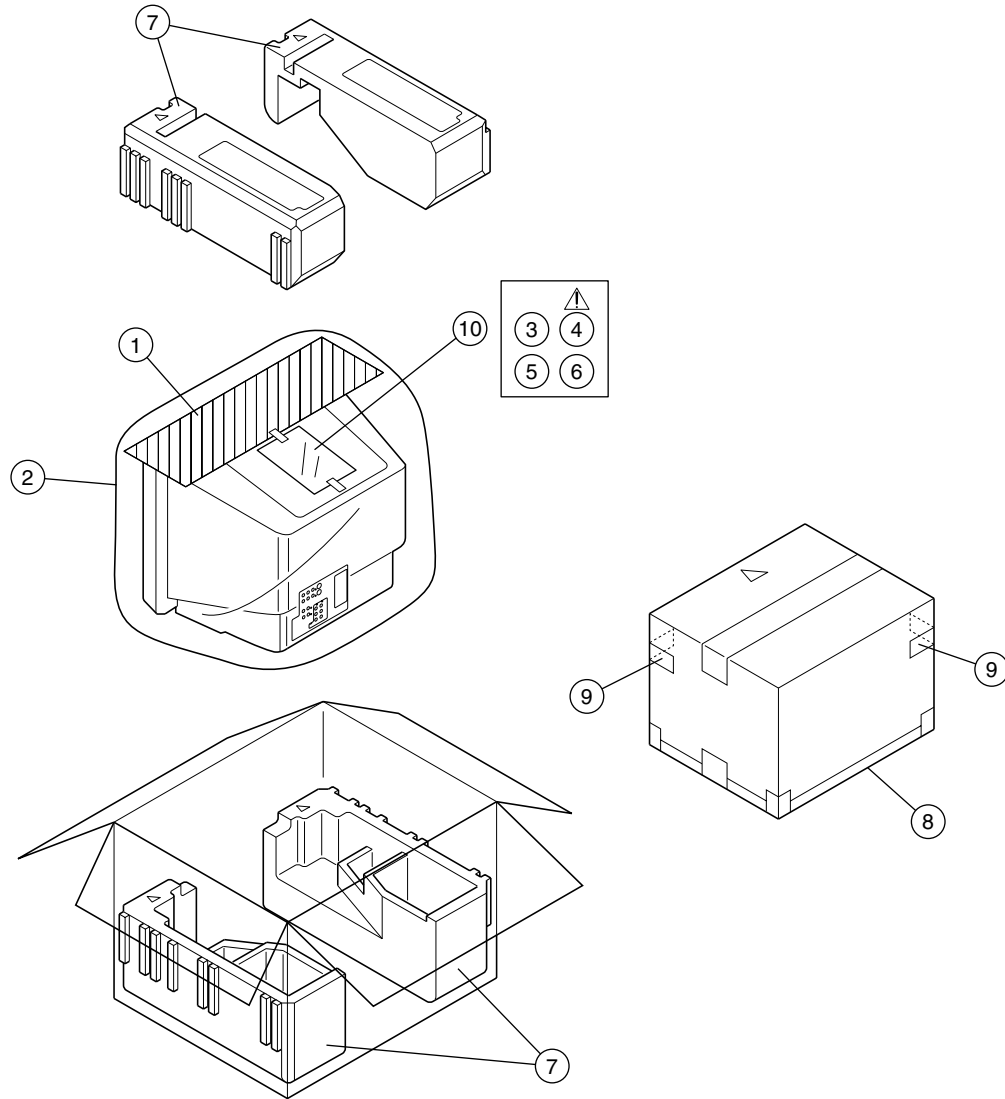
TRANSISTOR

Q3351-53	2SC4544-LB	SI.TRANSISTOR			
Q3391	2SA933AS/QR/-T	SI.TRANSISTOR			

OTHERS

△ SK3351	QNZ0464-001	C.R.T.SOCKET			
----------	-------------	--------------	--	--	--

PACKING



PACKING PARTS LIST

△ Ref.No.	Part No.	Part Name	Description	Local
1	CP30055-A02-A	TOP COVER		
2	CP30056-004-A	POLY BAG		
3	RM-C303G-1A	RC HAND UNIT	(AV-36D202, AV-36D302)	
3	RM-C301G-2A	RC HAND UNIT	(AV-36D502)	
△ 4	LCT0903-001A-A	INST BOOK		
5	BT-20071B-Q	SVC CENTER LIST		
6	BT-52004-1Q	WARRANTY CARD		
7	LC10645-002A-A	CUSHION ASSY	4pcs in 1set	
8	LC10181-011A-A	PACKING CASE		
9	CM36616-001-A	CORNER LABEL	2pcs in 1set	
10	QPA02503505	POLY BAG		